

---

## G9B BEAM



### Product parameters

#### OPTICS

Source: Philips Platinum 14R, 280W

CT: 8000K

Lamp life expectancy: 2,000H

#### MOVEMENT

Pan movement: 540 ° /630 ° optional (16 bit)

Tilt movement: 270 ° (16 bit)

Advanced motion system: auto repositioning, fast, quiet and smooth

#### COLORS

1 Color wheel: 13 dichroic filters + open



## GOBOS

- 1 Rotating gobo wheel:
  - 8 interchangeable + open
- 1 Static gobo wheel: 10 + open

## FEATURES

Rotating prism: 5 facet prism, 32 facet prism, two prisms can be morphed

Focus

Shutter: mechanical, variable from 1-25Hz or random

Dimmer: 0%-100% linear dimming

Frost: 0-100%

Beam angle: 2 °

## DISPLAY

Battery operated for fast addressing

15 second standby auto lock

Pan/ Tilt disengage (hold MENU and ENTER button)

## SOFTWARE

Upgrades: fast and convenient using uploader over DMX

Remote reset DMX address, lamp control, fixture reset, sound control by DMX

Run time of lamp and fixture

3 Control channel modes: 16/14/22 channels

## OTHER SPEC

Input signal isolation

Auto thermal protection circuit

Optional installed wireless receiver

Optional ArtNET control

RDM compatible

## POWER

AC100-240V, 50/60HZ



---

## DIMENSIONS AND WEIGHT

Packing dimension: 67.5x49x41.5cm

Net Weight: 22kgs

Gross Weight: 26.5 kgs

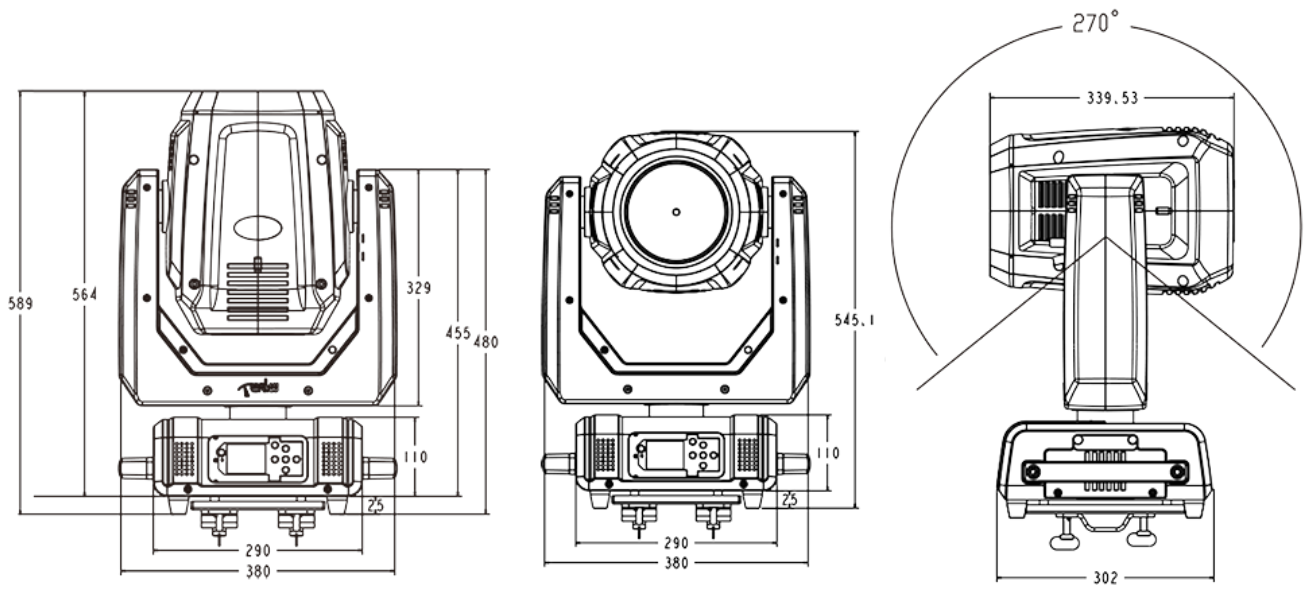
## Colours/ Gobos

COLOR WHEEL: 

ROTATING GOBO WHEEL: 

STATIC GOBO WHEEL: 

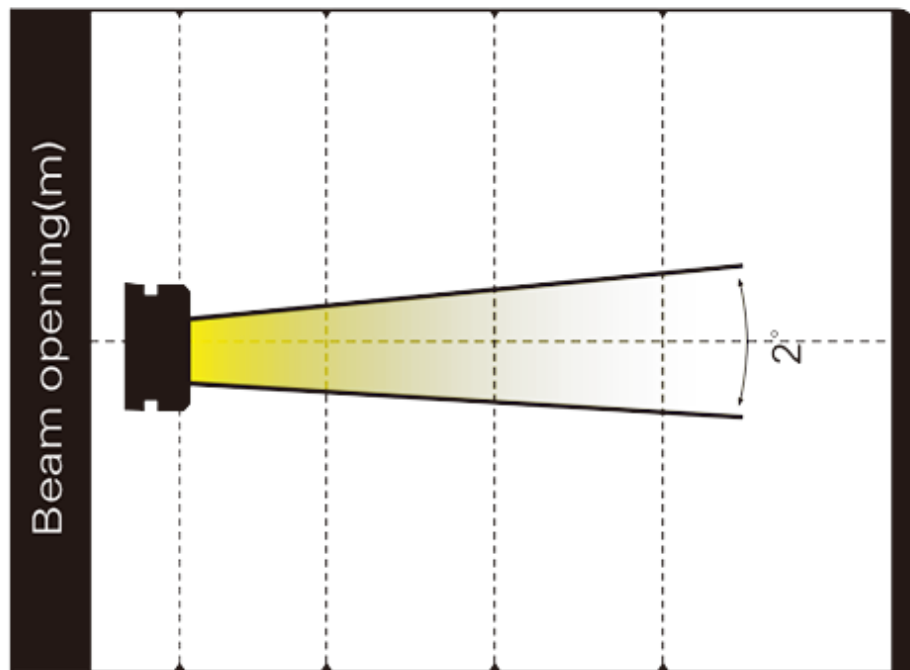
## Dimensions



## Photometrics



Intensity LUX      190000   104000   66350



Distance(m)                      15                      20                      25

Diameter(m)                       $\Phi$  0.68    $\Phi$  0.90    $\Phi$  1.12

Errors and omissions are possible. All specifications are subject for change without prior notice.