

---

## LB70V



### Product parameters

70 x 3W LEDs: RGBWA each 14pcs

Extremely Long Life: 100,000H and low power consumption

5 DMX channel modes: 4/5/8/11/35 channels

3 operational modes: DMX-512, Master/Slave & Sound Active

Strobe effect with 1-25 flashes per second and pulse effect

Auto adjust LED's hue, saturation, intensity, color temperature to get more true and vivid color

Excellent color mixing and rainbow effect

Color temperature adjustable from 2700K-7200K

Friendly blue LCD display

8 pre-built programs can be selected

Beam angle: 16 ° , field angle: 35 ° (Standard)



---

Beam angle: 10 ° , field angle: 26 ° (Optional)

Optional remote controller for simple control of color selection, shutter and dimmer

Fan automatically control function: according to the airframe temperature the fan will automatically adjust its speed, in order to achieve reasonable cooling to protect LEDs

Software upgrade: through DMX cable conveniently, quickly upgrade software

Power: AC100-240V,50/60HZ

Packing Dimension: 64x24x30cm

Net Weight: 7kgs

Gross Weight: 9kgs

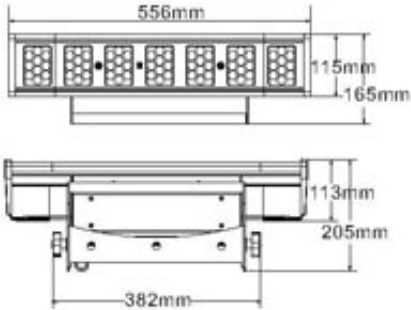
## Colours/ Gobos

:

:

:

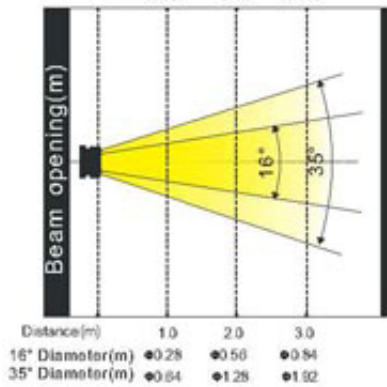
## Dimensions



## Photometrics

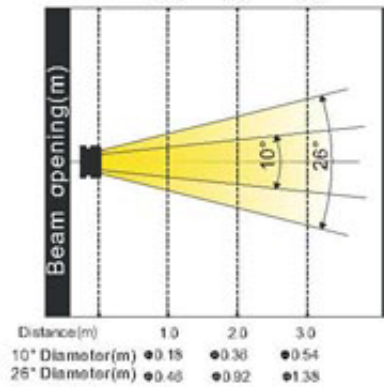
Beam angle 16°  
Field angle 35° (LENS 25°)

Intensity LUX	Red Led:	2339	677	480
Green Led:	4320	1475	797	
Blue Led:	1050	380	208	
White Led:	4577	1556	805	
Amber Led:	3734	1248	684	
Full Led:	14100	5300	2820	



Beam angle 10°  
Field angle 26° (LENS 15°)

Intensity LUX	Red Led:	3232	1228	710
Green Led:	5287	2212	1228	
Blue Led:	1110	480	269	
White Led:	5549	2150	1182	
Amber Led:	4562	1430	1015	
Full Led:	18420	7700	4030	



Errors and omissions are possible. All specifications are subject for change without prior notice.