
PB75



Product parameters

75 x 1W LED: RGBWA five colors

Extremely Long Life: 50,000H and low power consumption

5 DMX channel modes: 5/6/8/25/28 channels

3 operational modes: DMX-512, Master/Slave & Sound Active

Strobe effect with 1-25 flashes per second and pulse effect

General dimming and blackout for all five colors

Excellent color mixing and rainbow effect

Color temperature adjustable from 3200K-6500K

4 digit LED display

Preset program: 8 built in programs can be called up via DMX controller

Beam angl: 35 °

Optional remote control



Software upgrade: through DMX cable conveniently, quickly upgrade software.

Power: AC100 -240V 50/60HZ

Packing Dimension:108x15.5x24cm

Net Weight: 6 kgs

Gross Weight: 8 kgs

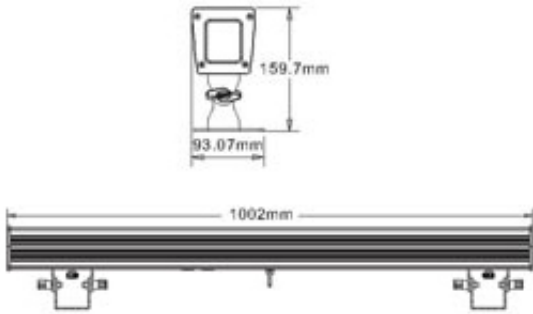
Colours/ Gobos

:

:

:

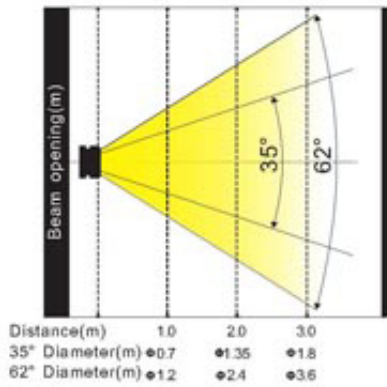
Dimensions



Photometrics

Beam angle 35°
 Field angle 62° (LENS 25°)

Intensity LUX	Red Led:	1330	370	230
	Green Led:	2895	705	402
	Blue Led:	494	143	104
	White Led:	2195	566	320
	Amber Led:	2104	519	190
	Full Led:	6400	2103	1421



Errors and omissions are possible. All specifications are subject for change without prior notice.