



LED PAR HEAD A51-E



Product parameters

OPTICS

12 x15W highpower LEDs: 4 in 1 LED make extremely even and smooth color mixing effect

Extremely long life: 50000H and lower consumption

High-efficiency PMMA secondary optics

COLOR

Dynamic Colour Macro Effect with variable speed

Color temperature linear adjust from 2700K to 8000K

Preset color temperature with: 2700K, 3200K, 4300K, 5600K, 6500K, 8000K

FEATURES



3 Control channel modes: 29/16/38 channels

3 Operational modes: DMX-512, Master/Slave and Stand alone mode

Ring control: can make extremely chasing effect

Shutter: Variable from 1-25 flashes

Dimming: 0-100% linear dimming

Zoom :5 ° - 50 ° linear zoom

DISPLAY

Friendly touch full color LCD display

SOFTWARE

RDM compatible

POWER

Maximum power: 200W

AC100-240V,50/60HZ

DIMENSIONS AND WEIGHT

Product dimension: 44x44x35.5cm

Net weight:8kgs

Gross weight:10kgs

Colours/ Gobos

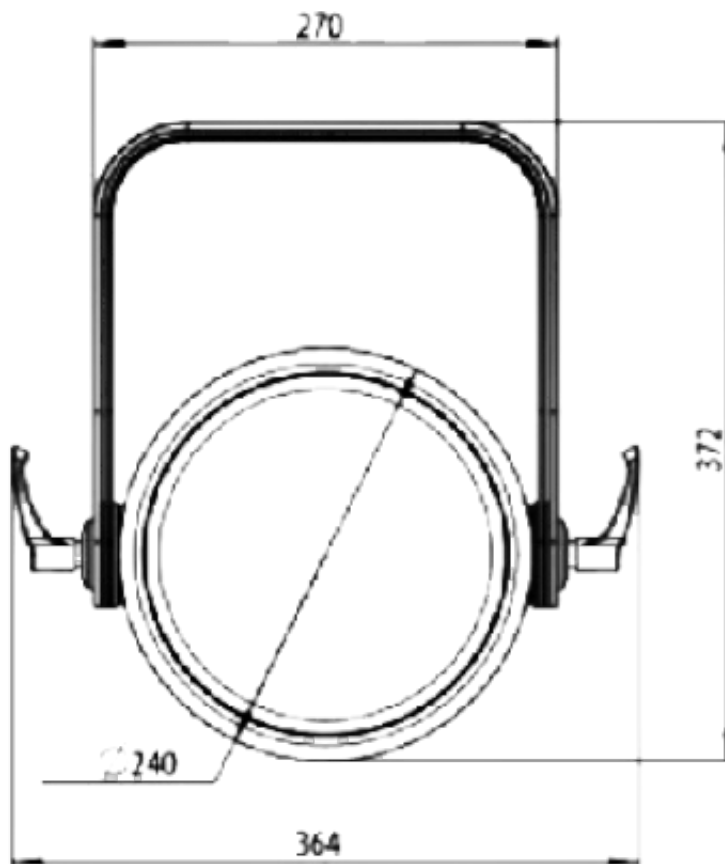
:

:

:



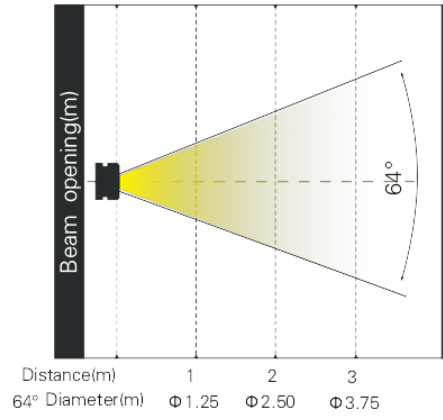
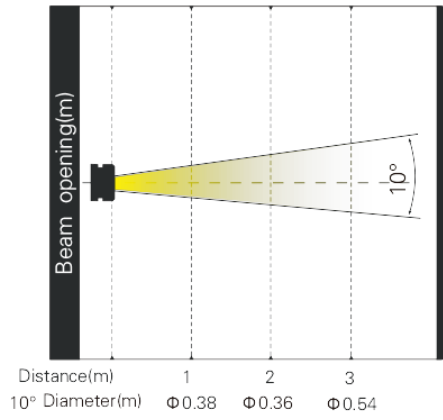
Dimensions



Photometrics

Intensity LUX	Red Led:	11000	5850	3280
	Green Led:	21540	12400	7100
	Blue Led:	4540	1890	1090
	White Led:	22180	12800	7394
	Full Led:	59100	31900	18500

Intensity LUX	Red Led:	760	201	95
	Green Led:	1560	410	201
	Blue Led:	230	62	31
	White Led:	1635	431	212
	Full Led:	4110	1080	521



Errors and omissions are possible. All specifications are subject for change without prior notice.