

G9 HYBRID



Product parameters

Optical system

Source: Philips Platinum 14R, 280W

Fixture CT: 6200K

Lamp life expectancy : 2,000h

Fixture output: 9,800lm

Movement

Pan: 540 ° /630 ° optional(16 bit)

Tilt: 270 ° (16 bit)

Auto X/Y repositioning

Color system

1 Color wheel: 13 dichroic filters + open

Gobo system

1 Rotating gobo wheel: 8 interchangeable + open. Gobo OD: 14.8mm

1 Static gobo wheel: 12 gobos + open

Effects

Motorized focus

Zoom range: Beam mode: 2 ° - 16 ° ; Spot mode: 3 ° -23 °

2 Rotating prisms: linear + 8 facet, dynamic prism morph

Frost

Dimming: 0-100% linear dimming

Shutter: mechanical with various speed

Protection rating

IP20

Display

Battery operated for fast addressing, 15 seconds standby auto lock

Pan/Tilt disengage (hold MENU and ENTER button)

Software

Upgrade with DMX

Remote reset DMX address and fixture by DMX

Run time of fixture and light source

3 Control channel modes: 17/19/26 CH

Control

Input signal isolation

Auto thermal protection circuit

Optional installed wireless receiver

Art-Net control

RDM protocol

Electric parameter

AC100-240V, 50/60Hz

Power: 450W

Dimension and weight

Product dimension: 38.6x29.9x66.2cm

Packing dimension (carton): 78.5x50.5x44.5cm

Net weight: 24.0kgs

Gross weight (carton): 29.0kgs

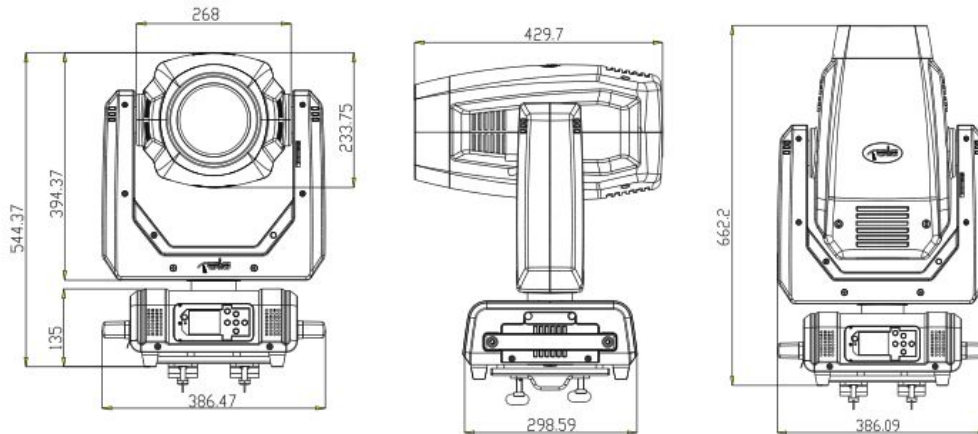
Colours/ Gobos

COLOR WHEEL: 

ROTATING GOBO WHEEL: 

STATIC GOBO WHEEL: 

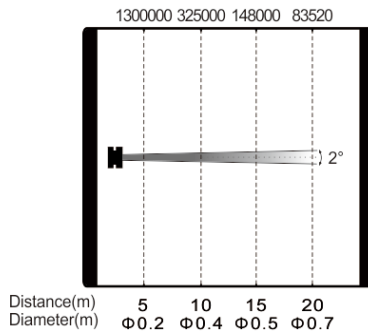
Dimensions



Photometrics

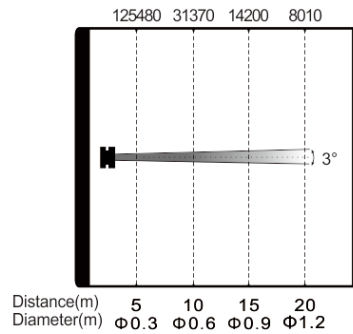
BEAM MODE

Intensity LUX(2°)

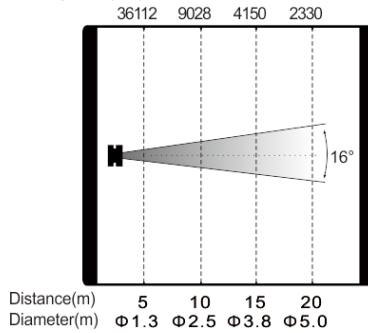


SPOT MODE

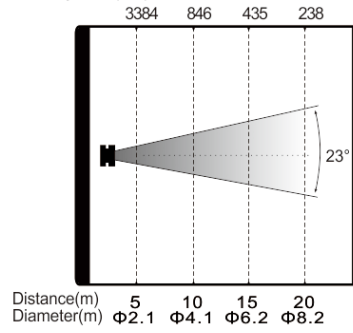
Intensity LUX (3°)



Intensity LUX (16°)



Intensity LUX (23°)



Errors and omissions are possible. All specifications are subject for change without prior notice.