
LPAR1Q LED PAR



Product parameters

Optical system

Source: 1x 15W RGBW LED

Lamp life expectancy : 50,000h

Color system

RGBW color mixing

Effects

Beam angle: 7 ° , field angle: 14 °

Dimming: 0-100% linear dimming

Strobe: electronic, variable from 1-25Hz or pulse



Protection rating
IP65 (IP66 optional)

Software
Upgrade with DMX
Remote reset DMX address and fixture by DMX
1 Control channel modes: 4CH

Control
RDM protocol

Electric parameter
AC100-240V, 50/60Hz
Power: 18W
Optional external power supply: PBOX-1015, one EPS can drive 15pcs LPAR1Q

Dimension and weight
Product dimension: 8.1x9.6x13.5cm
Packing dimension (carton): 10.0x10.0x16.0cm
Net weight: 0.5kgs
Gross weight (carton): 0.7kgs

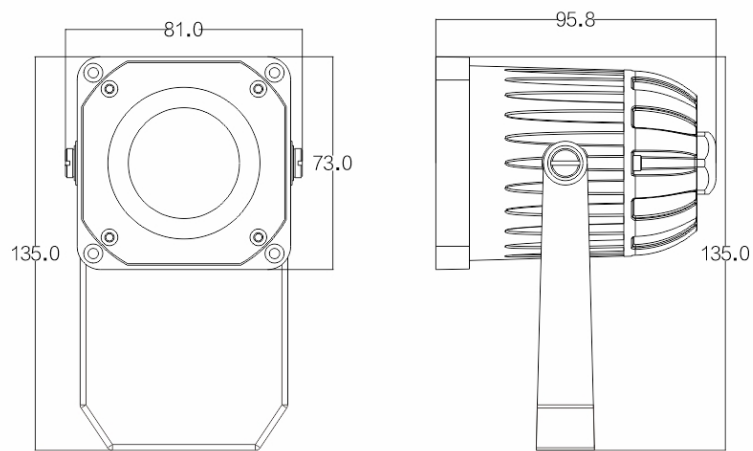
Colours/ Gobos

:

:

:

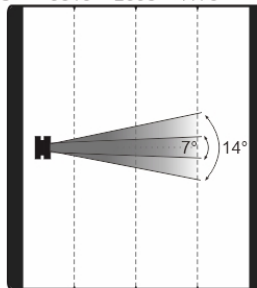
Dimensions



Photometrics

Beam angle 7°
 Field angle 14°
 Intensity LUX

Red leds	1520	425	175
Green leds	4310	1218	516
Blue leds	630	172	76
White leds	4452	1276	554
Full leds	9310	2698	1170



Distance(m)	1	2	3
7° Diameter(m)	Φ0.12	Φ0.24	Φ0.36
14° Diameter(m)	Φ0.24	Φ0.48	Φ0.72

Errors and omissions are possible. All specifications are subject for change without prior notice.