

## LED PROFILE T90 ( CW/WW )



### Product parameters

#### T90-CW

LED Source:130W White LED Engine

Color Rendering Index (CRI): 95

Color Temperature:5700K

Output:8300lm

Dimmer:0-100% Linear Dimming

Beam Angle:26 ° (5 ° /10 ° /14 ° /19 ° /36 ° /50 ° /70 ° /90 ° Optional)

Control:DMX 512/Manual Operation

Control Channel Mode:1/4 Channel

IP Rating:IP20

Power Consumption:160W

Input Voltage:AC100-240V, 50/60Hz

Weight:9KGS  
Dimension:(Light body)57.5x39.5x35.5cm  
(Lens) 38.5x23.5x25.5cm

T90-WW

LED Source:130W White LED Engine

Color Rendering Index (CRI): 97

Color Temperature:3200K

Output:7200lm

Dimmer:0-100% Linear Dimming

Beam Angle:26 ° (5 ° /10 ° /14 ° /19 ° /36 ° /50 ° /70 ° /90 ° Optional)

Control:DMX 512/Manual Operation

Control Channel Mode:1/4 Channel

IP Rating:IP20

Power Consumption:160W

Input Voltage:AC100-240V, 50/60Hz

Weight:9KGS

Dimension:(Light body)57.5x39.5x35.5cm  
(Lens) 38.5x23.5x25.5cm

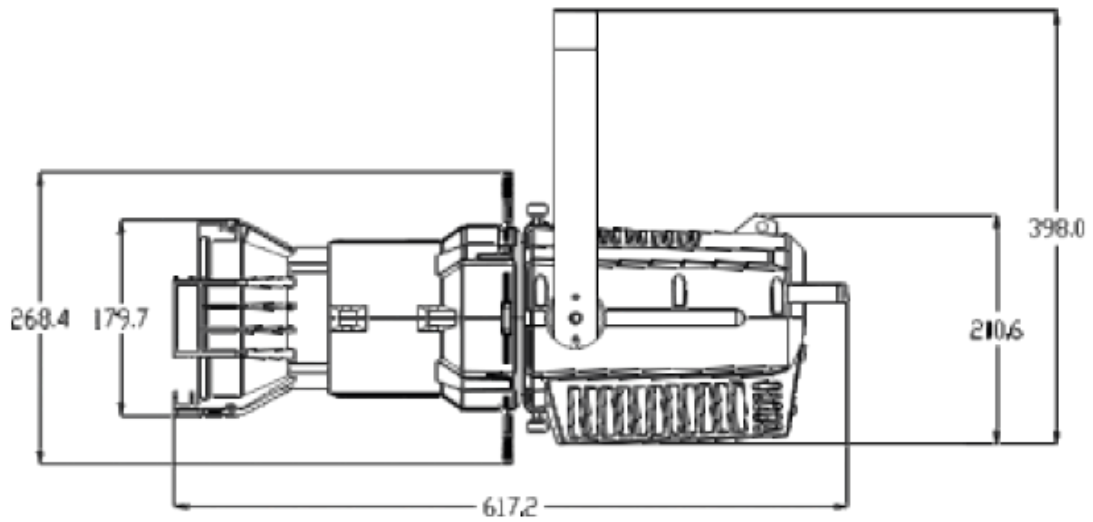
Colours/ Gobos

:

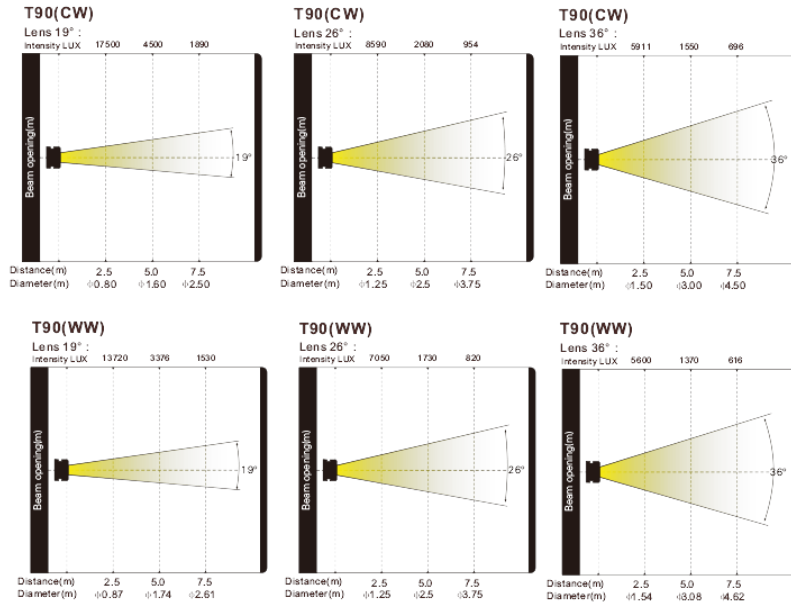
:

:

## Dimensions



## Photometrics



Errors and omissions are possible. All specifications are subject for change without prior notice.