

---

## G10B BEAM



### Product parameters

#### OPTICS

Source: Philips Platinum 17RA, 350W

CT: 7000K

Life: 1,500H

#### MOVEMENT

Pan movement: 540 ° /630 ° optional (16 bit)

Tilt movement: 270 ° (16 bit)

Advanced motion system: auto repositioning, fast, quiet and smooth

#### COLORS

1 Color wheel: 10 dichroic filters + open



## GOBOS

1 Static gobo wheel: 13 + open

## FEATURES

Rotating prism: 8 facet prism

Focus

Shutter: mechanical, variable from 1-25Hz or random

Dimmer: 0%-100% linear dimming

Frost: 0-100%

Beam angle: 3 °

## DISPLAY

Battery operated for fast addressing

15 second standby auto lock

Pan/ Tilt disengage (hold MENU and ENTER button)

## SOFTWARE

Upgrades: fast and convenient using uploader over DMX

Remote reset DMX address, lamp control, fixture reset, sound control by DMX

Run time of lamp and fixture

3 Control channel modes: 14/12/18 channels

## OTHER SPEC

Input signal isolation

Auto thermal protection circuit

Optional installed wireless receiver

RDM compatible

## POWER

AC100-240V, 50/60HZ

## DIMENSIONS AND WEIGHT



---

Packing dimension: 69.5x49.5x42.5cm  
Net weight: 27kgs  
Gross weight: 33kgs

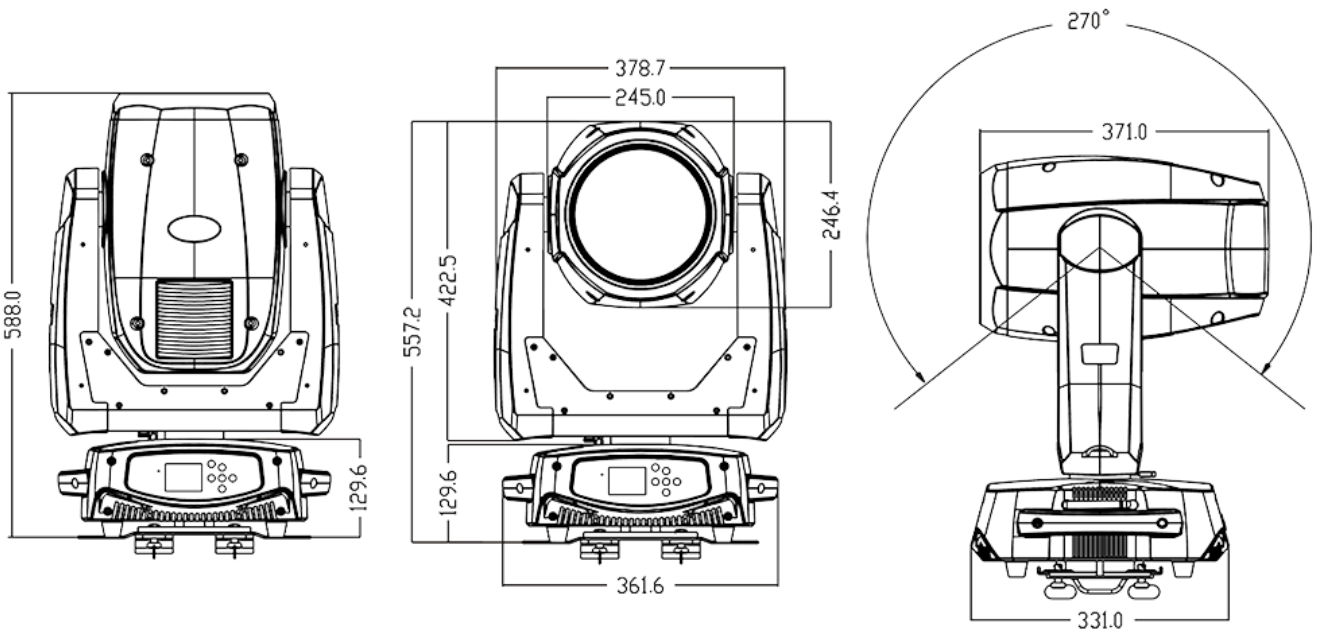
### Colours/ Gobos

COLOR WHEEL: 

STATIC GOBO WHEEL: 

:

### Dimensions

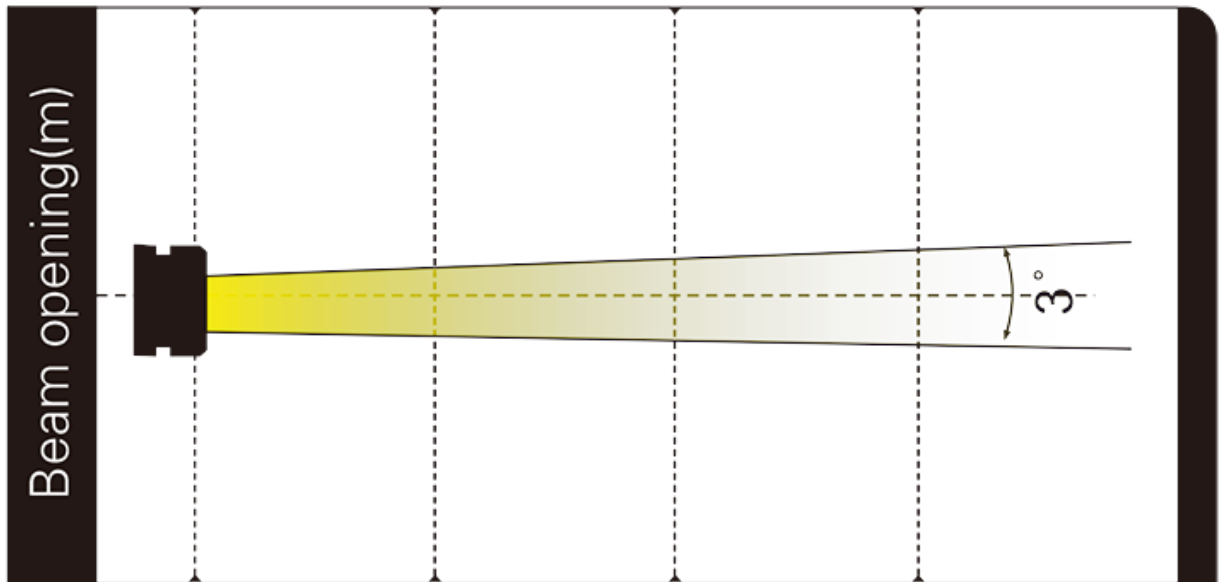


## Photometrics



Beam angle 3°

Intensity LUX      219400      129400      84680



Distance(m)

15

20

25

Diameter(m)

Φ 0.64

Φ 0.85

Φ 1.06

Errors and omissions are possible. All specifications are subject for change without prior notice.