
F250 LED SPOTLIGHT



Product parameters

Optical system

Source: 250W White LED Engine

CRI: up to 93

Fixture Output: 10,500lm

Color system

Color temperature linear: 3200K to 6000K

Effects

Zoom: 19 ° -72 ° (field angle)

Dimming: 0-100% linear dimming



Protection rating

IP20

Software

3 Control channel modes: 2/3/7 CH

Control

Control: DMX512/manual mode

Electric parameter

AC100-240V, 50/60Hz

Power: 300W

Dimension and weight

Product dimension: 36.8x45.8x61.0cm

Packing dimension (carton): 60.0x45.5x45.5cm

Net weight: 10.5kgs

Gross weight (carton): 14.6kgs

Others

Optional hanging type: manual yoke

Optional accessory : barn doors

Colours/ Gobos

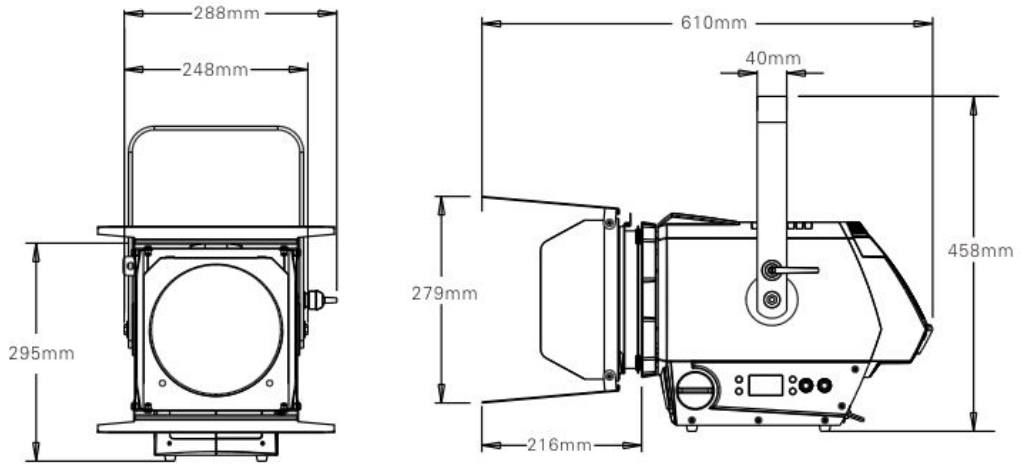
:

:

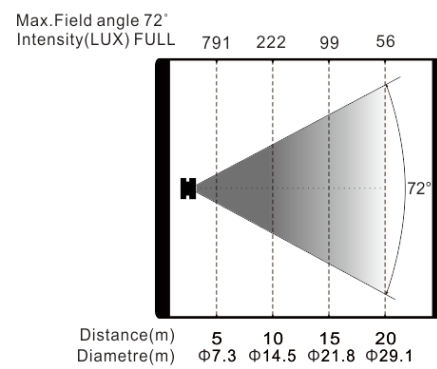
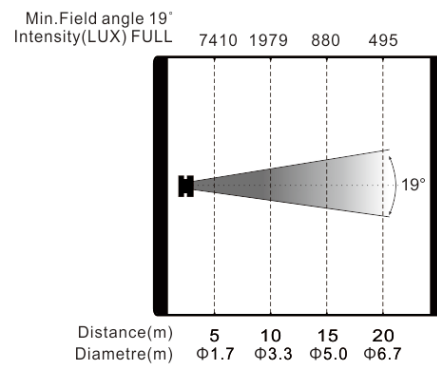
:



Dimensions



Photometrics



Errors and omissions are possible. All specifications are subject for change without prior notice.