



## T180C LED PROFILE



### Product parameters

#### Optical system

Source: R/G/B/A/M,5-in-1 LED Engine,180W

Fixture CT: 2700K-5600K linear

CRI: up to 95

Fixture Output: 6,200lm

Optical angle: 26 ° (5 ° /10 ° /14 ° /19 ° /36 ° /50 ° optional)

#### Effects

Dimming: 0-100% linear dimming

#### Protection rating

IP20



---

## Software

Upgrade with DMX

5 Control channel modes: 5/6/8/13/19 CH

## Control

RDM protocol

## Electric parameter

AC100-240V, 50/60Hz

Power: 200W

## Dimension and weight

Product dimension: 201.7x268.4x617.2mm (Fixture)

Packing dimension (carton): 575x395x355mm (Fixture)

Net weight: 7.2kg (Fixture)

Gross weight (carton): 9.5kg (Fixture)

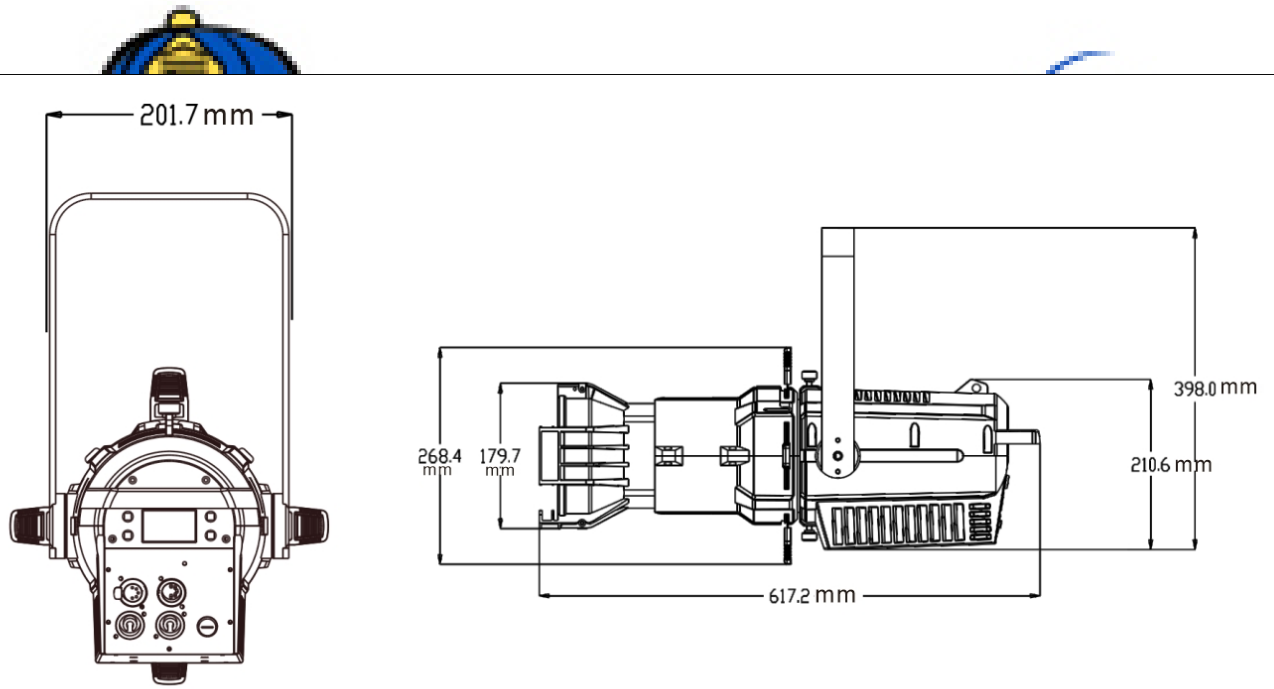
## Colours/ Gobos

:

:

:

## Dimensions

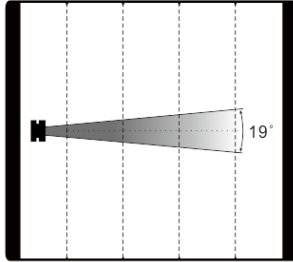


## Photometrics



Intensity LUX(19°)

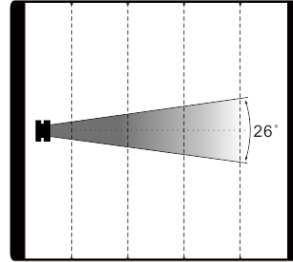
|       |      |     |     |     |
|-------|------|-----|-----|-----|
| RED   | 132  | 34  | 15  | 8   |
| GREEN | 335  | 83  | 37  | 21  |
| BLUE  | 99   | 26  | 12  | 7   |
| MINT  | 1900 | 467 | 208 | 117 |
| AMBER | 98   | 24  | 11  | 6   |
| FULL  | 2450 | 624 | 276 | 156 |



|             |       |       |       |       |
|-------------|-------|-------|-------|-------|
| Distance(m) | 5     | 10    | 15    | 20    |
| Diameter(m) | Φ 1.7 | Φ 3.3 | Φ 5.0 | Φ 6.7 |

Intensity LUX(26°)

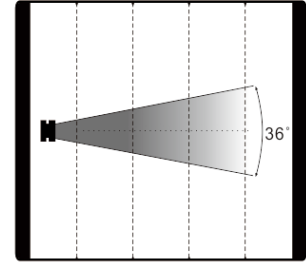
|       |      |     |     |    |
|-------|------|-----|-----|----|
| RED   | 70   | 94  | 42  | 24 |
| GREEN | 167  | 45  | 20  | 11 |
| BLUE  | 52   | 15  | 7   | 4  |
| MINT  | 925  | 241 | 107 | 60 |
| AMBER | 52   | 14  | 6   | 3  |
| FULL  | 1218 | 316 | 140 | 79 |



|             |       |       |       |       |
|-------------|-------|-------|-------|-------|
| Distance(m) | 5     | 10    | 15    | 20    |
| Diameter(m) | Φ 2.3 | Φ 4.6 | Φ 6.9 | Φ 9.2 |

Intensity LUX(36°)

|       |     |     |    |    |
|-------|-----|-----|----|----|
| RED   | 45  | 12  | 6  | 3  |
| GREEN | 92  | 24  | 11 | 6  |
| BLUE  | 28  | 7   | 3  | 2  |
| MINT  | 516 | 133 | 59 | 33 |
| AMBER | 29  | 9   | 4  | 2  |
| FULL  | 678 | 174 | 78 | 44 |



|             |       |       |       |        |
|-------------|-------|-------|-------|--------|
| Distance(m) | 5     | 10    | 15    | 20     |
| Diameter(m) | Φ 3.2 | Φ 6.5 | Φ 9.7 | Φ 13.0 |

Errors and omissions are possible. All specifications are subject for change without prior notice.