



GLW190Z LED WASH



Product parameters

Optical system

Source: 19 x 15W RGBW LED

Life span : >50,000h

Fixture output: 3,200lm

Movement

Pan: 540 ° /630 ° optional(16 bit)

Tilt: 270 ° (16 bit)

Auto X/Y repositioning

Color system

RGBW color mixing



Color temperature linear: 2700K to 8000K, Color temperature presets: 2700K, 3200K, 4300K, 5600K, 6500K, 8000K

Effects

Zoom range: 8 ° -72 °

Dimming: 0-100% linear dimming

Strobe: electronic, variable from 1-25Hz or pulse

Pixel Control

GAMMA: 2.0, 2.2, 2.4, 2.6, 2.8, to fit different visual linearity requirements

Refresh rate: 900Hz-24,000Hz

Protection rating

IP20

Display

Battery operated for fast addressing, 15 seconds standby auto lock

Pan/tilt disengage (hold MENU and ENTER button)

Software

Upgrade with DMX

Remote reset DMX address and fixture by DMX

Run time of fixture and light source

3 Control channel modes: 17/35/93CH

Control

Input signal isolation

Optional installed wireless receiver

Art-Net control

RDM protocol

Electric parameter

AC100-240V, 50/60Hz

Power: 400W



Dimension and weight

Product dimension: 37.0x24.6x47.0cm

Packing dimension (carton): 59.5x45.5x36.5cm

Net weight: 13.0kgs

Gross weight (carton): 16.5kgs

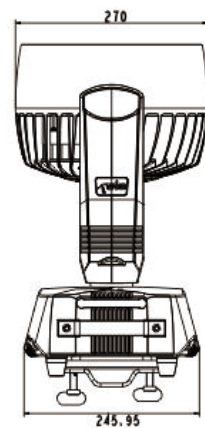
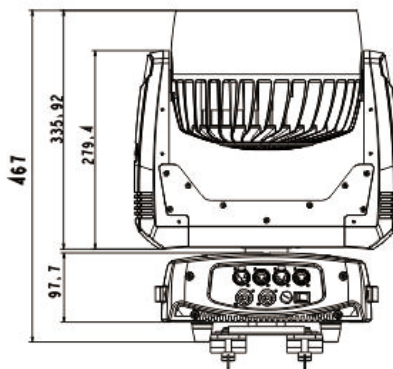
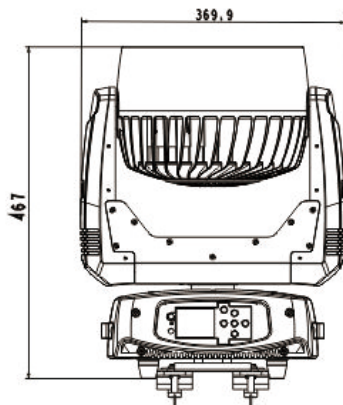
Colours/ Gobos

:

:

:

Dimensions

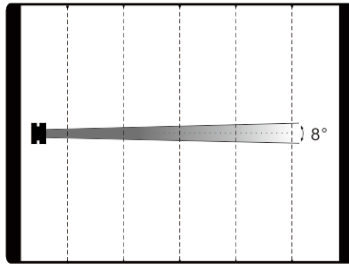




Photometrics

Intensity LUX(8°)

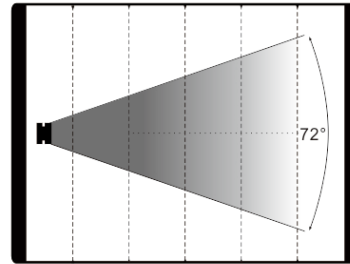
| | | | | | |
|------------|-------|-------|------|------|-----|
| Red leds | 5067 | 1824 | 456 | 203 | 114 |
| Green leds | 11414 | 4109 | 1027 | 457 | 257 |
| Bule leds | 1250 | 450 | 113 | 50 | 28 |
| White leds | 12250 | 4410 | 1103 | 490 | 276 |
| Full leds | 28611 | 10300 | 2575 | 1144 | 644 |



| | | | | | |
|-------------|------|------|------|------|------|
| Distance(m) | 3 | 5 | 10 | 15 | 20 |
| Diameter(m) | Φ0.4 | Φ0.7 | Φ1.4 | Φ2.1 | Φ2.8 |

Intensity LUX(72°)

| | | | | | |
|------------|-----|-----|----|----|----|
| Red leds | 114 | 41 | 10 | 5 | 3 |
| Green leds | 267 | 96 | 24 | 11 | 6 |
| Bule leds | 31 | 11 | 3 | 1 | 1 |
| White leds | 336 | 121 | 30 | 13 | 8 |
| Full leds | 656 | 236 | 59 | 26 | 15 |



| | | | | | |
|-------------|------|------|-------|-------|-------|
| Distance(m) | 3 | 5 | 10 | 15 | 20 |
| Diameter(m) | Φ4.4 | Φ7.3 | Φ14.5 | Φ21.8 | Φ29.1 |

Errors and omissions are possible. All specifications are subject for change without prior notice.