
GLW7QZ LED WASH



Product parameters

Optical system

Source: 7x40W RGBW LED

Fixture CT: 8200K

Lamp life expectancy : 50,000h

Fixture output: 2,600lm

Movement

Pan: 540 ° /630 ° optional(16 bit)

Tilt: 270 ° (16 bit)

Auto X/Y repositioning

Color system



RGBW color mixing

Color temperature linear: 2700K to 8000K, Color temperature presets: 2700K, 3200K, 4300K, 5600K, 6500K, 8000K

Effects

Zoom range: 7 ° -35 ° (beam angle) , 10 ° -59 ° (field angle)

Dimming: 0-100% linear dimming

Strobe: electronic, variable from 1-25Hz or pulse

Ring control

GAMMA: 2.0, 2.2, 2.4, 2.6, 2.8, to fit different visual linearity requirements

Refresh rate: 900Hz - 24,000 Hz

Protection rating

IP20

Display

Battery operated for fast addressing, 15 seconds standby auto lock

Pan/tilt disengage (hold Left arrow and Right arrow buttons)

Software

Upgrade with DMX and USB as optional

Remote reset DMX address and fixture by DMX

Run time of fixture and light source

3 Control channel Modes: 19/21/26CH

Control

Optional Installed wireless receiver

Art-Net control

RDM protocol

Electric parameter

AC100-240V, 50/60Hz

Power: 290W



Dimension and weight

Product dimension: 28.2x20.0x34.9cm

Packing dimension (carton): 43.0x36.0x29.5cm

Net weight: 7.0kg

Gross weight (carton): 10.0kgs

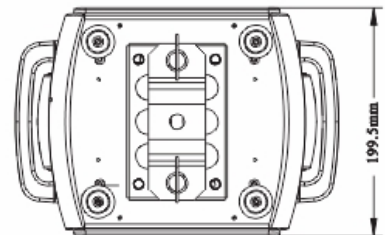
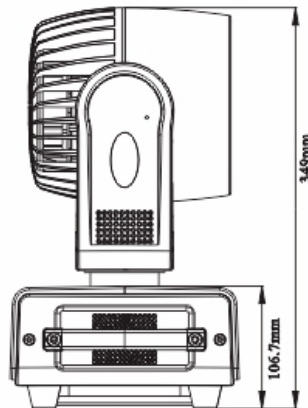
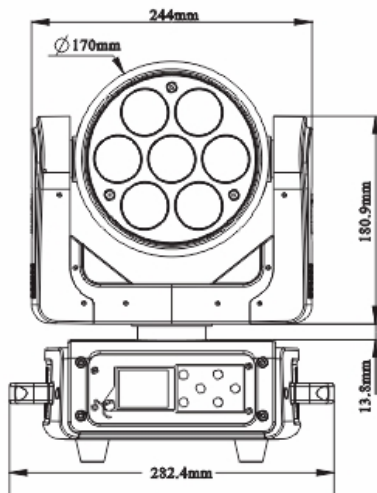
Colours/ Gobos

:

:

:

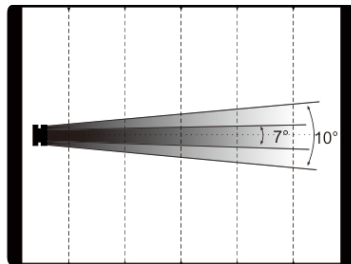
Dimensions



Photometrics

Beam angle 7°
Field angle 10°
Intensity LUX(min.)

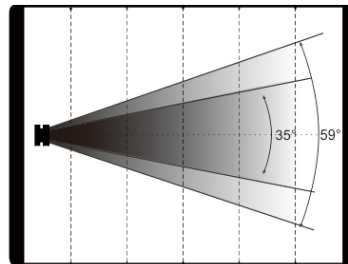
Red Led:	1986	710	174	78	44
Green Led:	4345	1689	143	64	36
Blue Led:	632	241	69	31	17
White Led:	5921	2215	588	253	142
Full Led:	12028	4570	1169	520	292



Distance(m)	3	5	10	15	20
7°Diameter(m)	Φ0.4	Φ0.6	Φ1.2	Φ1.8	Φ2.4
10°Diameter(m)	Φ0.5	Φ0.9	Φ1.7	Φ2.6	Φ3.5

Beam angle 35°
Field angle 59°
Intensity LUX(max)

Red Led:	107	38	11	5	3
Green Led:	232	88	24	11	6
Blue Led:	35	14	4	2	1
White Led:	305	115	32	14	8
Full Led:	632	240	65	29	16



Distance(m)	3	5	10	15	20
35°Diameter(m)	Φ1.9	Φ3.2	Φ6.3	Φ9.5	Φ12.6
59°Diameter(m)	Φ3.4	Φ5.7	Φ11.3	Φ17.0	Φ22.6

Errors and omissions are possible. All specifications are subject for change without prior notice.