



OK190Z-R II WASH



Product parameters

OPTICS

Source: 19 x 15W RGBW high power LEDs

Life: >50,000H

MOVEMENT

Pan movement: 540 ° /630 ° optional (16 bit)

Tilt movement: 270 ° (16 bit)

Advanced motion system: auto repositioning, fast, quiet and smooth

COLOR

RGBW LED color mixing

Color temperature linear: 2700K to 8000K



Color temperature presets: 2700K, 3200K, 4300K, 5600K, 6500K, 8000K
Excellent color mixing and rainbow effect

FEATURES

Zoom: 14 ° -63 ° linear zoom
Strobe: electronic, variable from 1-25Hz or pulse
Dimmer: 0%-100% linear dimming
Ring control

DISPLAY

Battery operated for fast addressing
15 second standby auto lock
Pan/ Tilt disengage (hold MENU and ENTER button)

SOFTWARE

Upgrades: fast and convenient with uploader over DMX
Remote reset DMX address, fixture reset, sound control by DMX
Run time of LED engine and fixture
3 Control channel modes: 33/21/43 channels
3 Operational modes: DMX-512, Master/Slave & Sound Active

OTHER SPEC

Optional pixel control. Model name: OK190Z-R
Input signal isolation
Optional installed wireless receiver
RDM compatible

POWER

AC100-240V, 50/60HZ

DIMENSIONS AND WEIGHT

Packing dimension: 58.5X44.5X34.5cm
Net weight:15kgs
Gross weight:19.5kgs



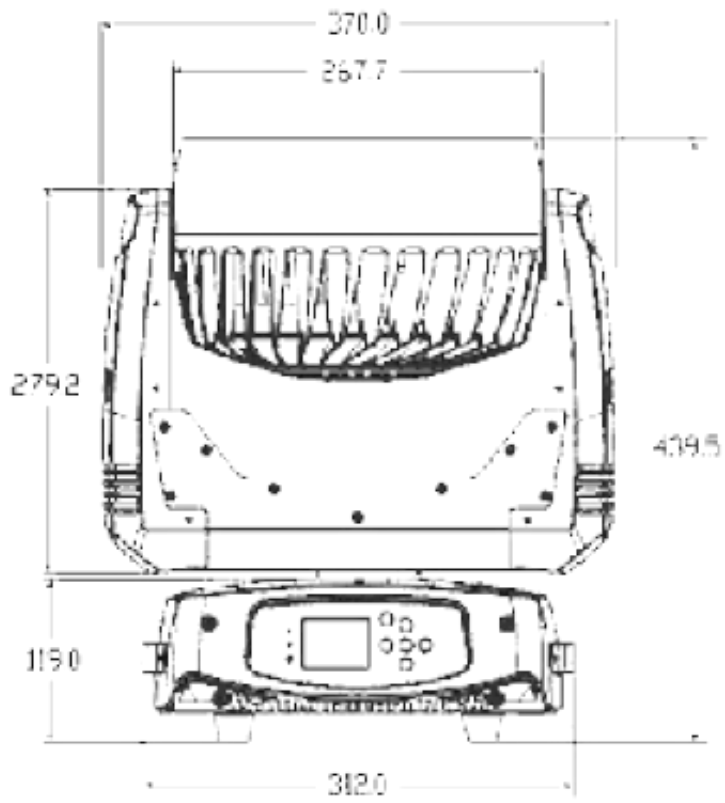
Colours/ Gobos

:

:

:

Dimensions

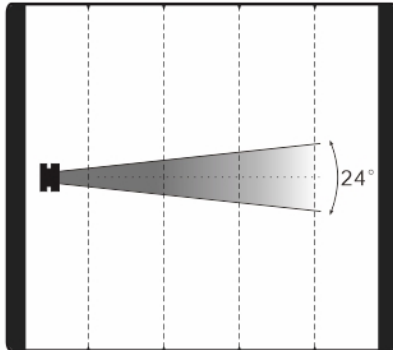


Photometrics



Intensity LUX(24°)

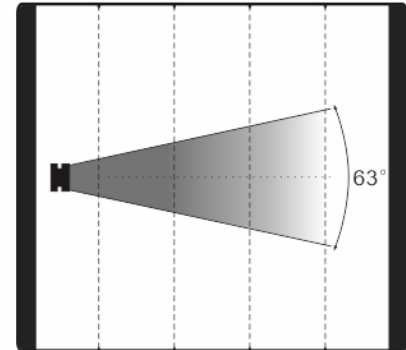
Red leds	1130	283	126	71
Green leds	1645	411	183	103
Bule leds	168	42	19	11
White leds	1729	432	192	108
Full leds	4285	1071	476	268



Distance(m)	5	10	15	20
Diameter(m)	Φ2.1	Φ4.3	Φ6.4	Φ8.5

Intensity LUX(63°)

Red leds	180	45	20	11
Green leds	187	47	21	12
Bule leds	81	20	9	5.1
White leds	791	198	88	50
Full leds	561	140	62	35



Distance(m)	5	10	15	20
Diameter(m)	Φ6.1	Φ12.3	Φ18.4	Φ24.5

Errors and omissions are possible. All specifications are subject for change without prior notice.