
GLW370Z LED WASH



Product parameters

Optical system

Source: 37 x 15W RGBW LED

Life span : >50,000h

Fixture output: 5,600lm

Movement

Pan: 540 ° /630 ° optional(16 bit)

Tilt: 270 ° (16 bit)

Auto X/Y repositioning

Color system

RGBW color mixing



Color temperature linear: 2700K to 8000K, Color temperature presets: 2700K, 3200K, 4300K, 5600K, 6500K, 8000K

Effects

Zoom range: 5 ° -70 °

Dimming: 0-100% linear dimming

Strobe: electronic, variable from 1-25Hz or pulse

Pixel Control

GAMMA: 2.0, 2.2, 2.4, 2.6, 2.8, to fit different visual linearity requirements

Refresh rate: 900Hz-25,000Hz

Protection rating

IP20

Display

Battery operated for fast addressing, 15 seconds standby auto lock

Pan/tilt disengage (hold MENU and ENTER button)

Software

Upgrade with DMX

Remote reset DMX address and fixture by DMX

Run time of fixture and light source

3 Control channel modes: 17/19/165CH

Control

Input signal isolation

Optional installed wireless receiver

Art-Net control

RDM protocol

Electric parameter

AC100-240V, 50/60Hz

Power: 600W



Dimension and weight

Product dimension: 49.9x33.1x59.4cm

Packing dimension (carton): 71.5x62.5x47.0cm

Net weight: 22.5kgs

Gross weight (carton): 28.5kgs

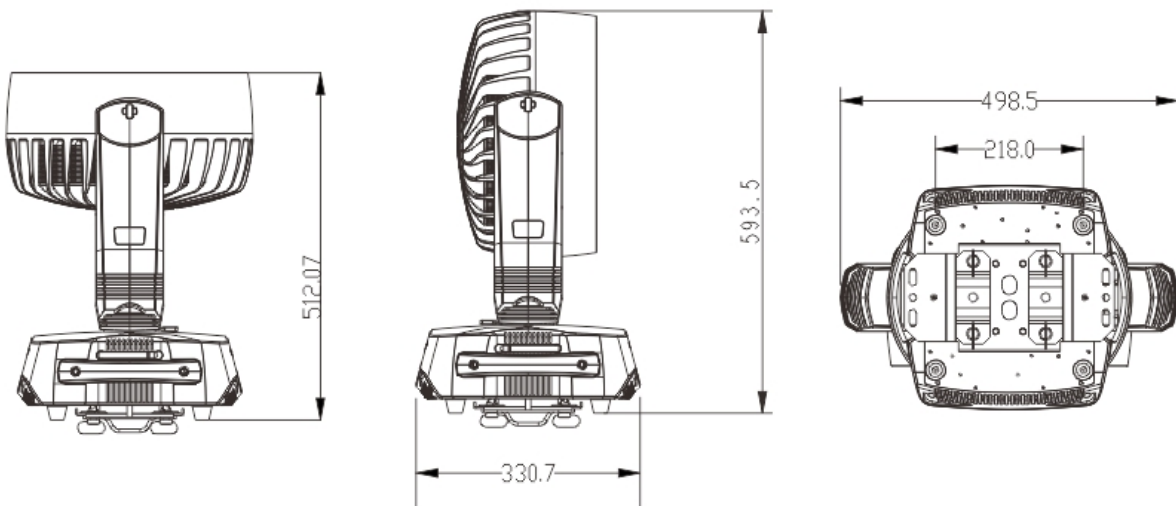
Colours/ Gobos

:

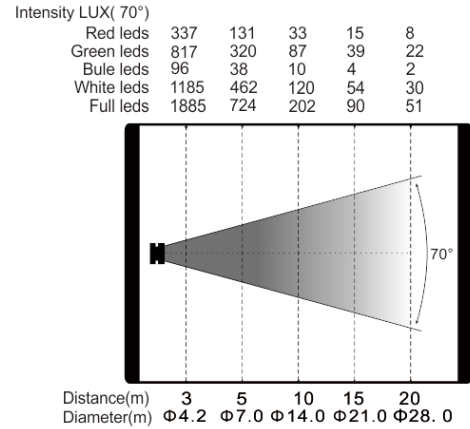
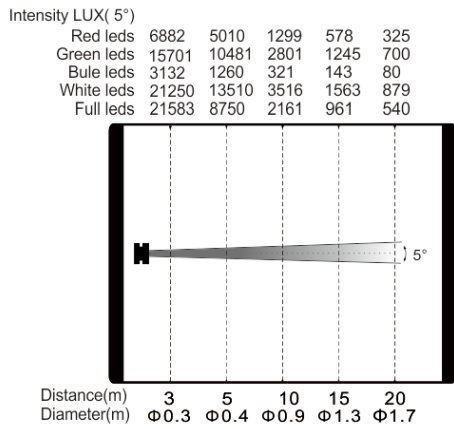
:

:

Dimensions



Photometrics



Errors and omissions are possible. All specifications are subject for change without prior notice.