
G12 HYBRID



Product parameters

Optical system

Source: Philips Platinum 20R, 470W

Fixture CT: 7100K

Lamp life expectancy : 1500h

Movement

Pan: 540 ° /630 ° optional(16 bit)

Tilt: 270 ° (16 bit)

Auto X/Y repositioning

Color system

CMY+CTO color mixing



1 Color wheel: 10 dichroic filters +open

Gobo system

1 Rotating gobo wheel: 8 interchangeable + open. Gobo OD: 16.3mm

1 Static gobo wheel: 6 gobos +open

Effects

Motorized focus

Zoom range: Beam mode: 1.8° - 23° ; Spot mode: 3° - 32° ; Wash mode: 12.6° - 40°

Auto focus

2 Rotating prisms: 8 facet + linear prism, dynamic prism morph , indexable with macros.

Frost

Dimming: 0%-100% linear dimming

Shutter: mechanical with various speed

Protection rating

IP20

Display

Battery operated for fast addressing, 15 second standby auto lock

Pan/ Tilt disengage (hold MENU and ENTER button)

Software

Upgrade with DMX

Remote reset DMX address, lamp control, fixture reset by DMX

Run time of light source and fixture

3 Control channel modes: 24/26/37CH

Control

Input signal isolation

Auto thermal protection circuit

Optional installed wireless receiver



Art-Net control
RDM protocol


Electric parameter
AC100-240V, 50/60Hz
Power: 650W

Dimension and weight
Product dimension: 47.5x32.6x76.5cm
Packing dimension (carton): 91.5x60.0x46.5cm
Net weight: 35.0kgs
Gross weight (carton): 41.5kgs

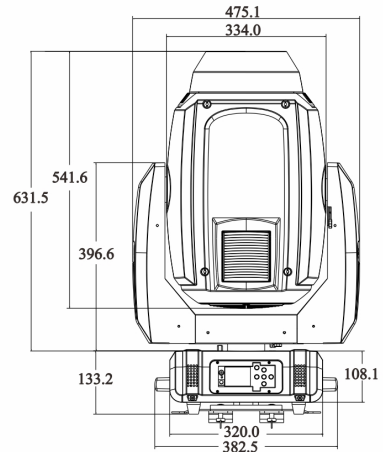
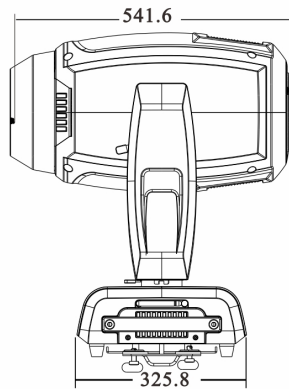
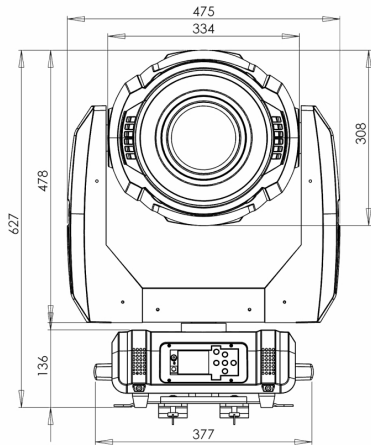
Colours/ Gobos

:

COLOR WHEEL: 

ROTATING GOBO WHEEL: 

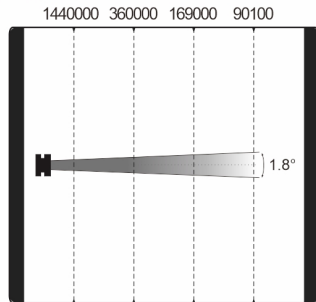
Dimensions



Photometrics

Beam

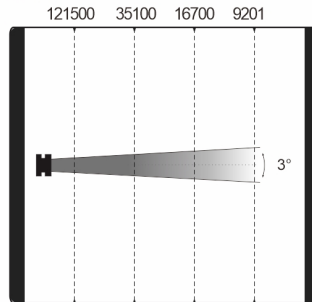
Intensity LUX(1.8°)



Distance(m) 5 10 15 20
Diameter(m) Φ 0.2 Φ 0.3 Φ 0.5 Φ 0.6

Spot

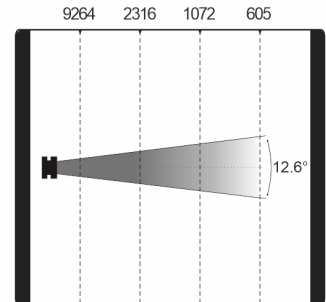
Intensity LUX(3°)



Distance(m) 5 10 15 20
Diameter(m) Φ 0.3 Φ 0.5 Φ 0.8 Φ 1.0

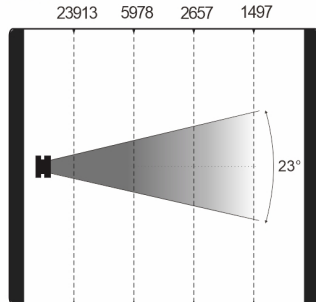
Wash

Intensity LUX(12.6°)



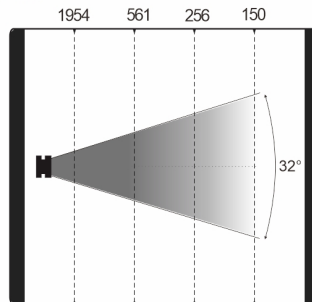
Distance(m) 5 10 15 20
Diameter(m) Φ 1.1 Φ 2.2 Φ 3.3 Φ 4.4

Intensity LUX(23°)



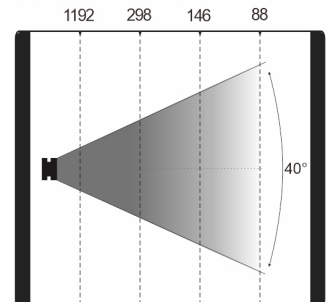
Distance(m) 5 10 15 20
Diameter(m) Φ 2.0 Φ 4.1 Φ 6.1 Φ 8.1

Intensity LUX(32°)



Distance(m) 5 10 15 20
Diameter(m) Φ 2.9 Φ 5.7 Φ 8.6 Φ 11.5

Intensity LUX(40°)



Distance(m) 5 10 15 20
Diameter(m) Φ 3.6 Φ 7.3 Φ 10.9 Φ 14.6



Errors and omissions are possible. All specifications are subject for change without prior notice.