
V2000B BEAM



Product parameters

OPTICS

Lamp: Philips MSR GOLD 1500 FASTFIT

CT:6000 K, Life: 750H

MOVEMENT

Pan movement: 540 ° /630 ° optional (16 bit)

Tilt movement: 270 ° (16 bit)

Advanced moving system: fast, stable and quiet, auto X-Y repositioning

COLORS

CMY color mixing and speed can be adjustable

CTO: color temperature linear change from 2700 -6500K



1 Color wheel: 8 dichroic filters +open, rainbow effect
30 CMY+CTO+Color macros and random CMY
“ Slot in&out ” color wheel system

GOBOS

1 Rotating gobo wheel: 6 interchangeable, rotating, indexable, gobos+open
1 Static gobo wheel: 7 interchangeable, indexable, gobos+open
“ Slot in&out ” gobo wheel system

FEATURES

3 Control channel modes: 21/23/35 channels
Rotating prism: 4 facets
Focus: motorized focus
Shutter: variable from 1-25 flashes or random strobe
Dimmer: 0-100% full range dimming
Iris: motorized linear change from 5%-100%
Frost: extremely nice wash effect
Beam angle: 5 ° , parallel and strong beam effect

DISPLAY

Advanced and convenient full-color LCD touch screen, with rechargeable battery
Locked automatically after standby for 15 seconds to prevent error; hold the button for 3 seconds to activate
Friendly reset detection: hold MENU and ENTER button to lock pan/tilt reset, able to complete reset detection inside flight case

SOFTWARE

7 pre-installed programs available upon selection
Upgrades: fast and convenient through DMX cable
Reset DMX address, remote lamp switch, reset, sound control can all be done by the console
Running time of lamp and fixture on display for reference

OTHER SPEC



Input signal isolation: guarantees stable signal transmission without interference

Auto-protection at high temperature: lamp automatically switches off when reaching high temperature until the fixture cools down

Build in wireless receiver

Advanced RDM function

POWER

AC100-240V, 50/60HZ

DIMENSIONS AND WEIGHT

Packing Dimension: 61x45x98cm

Net Weight: 39kgs

Gross Weight: 45kgs

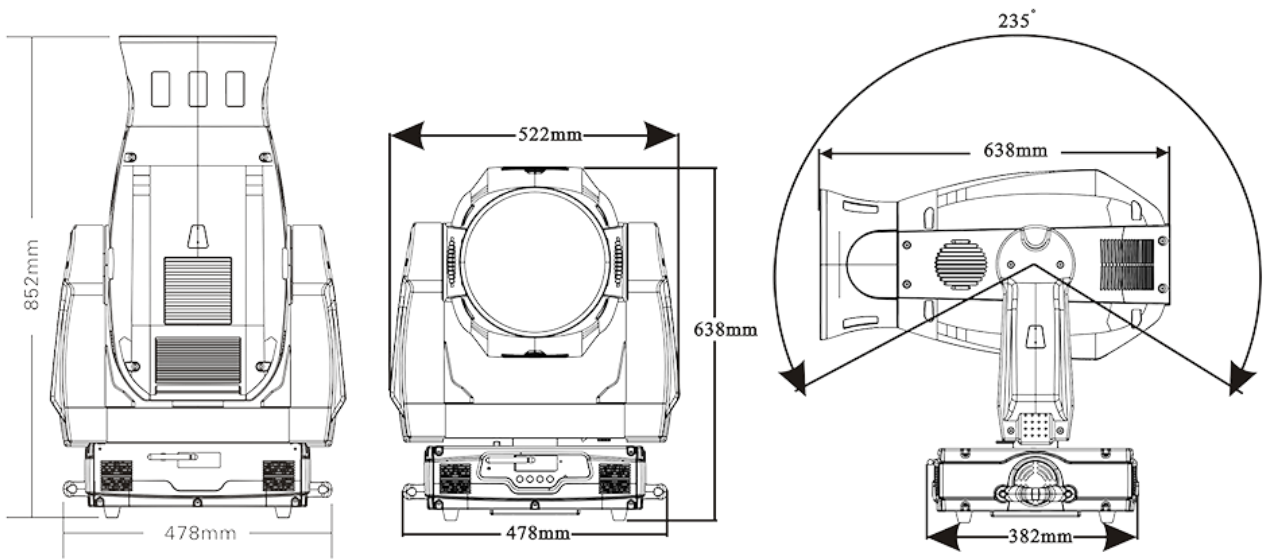
Colours/ Gobos

COLOR WHEEL: 

ROTATING GOBO WHEEL: 

STATIC GOBO WHEEL: 

Dimensions



Photometrics

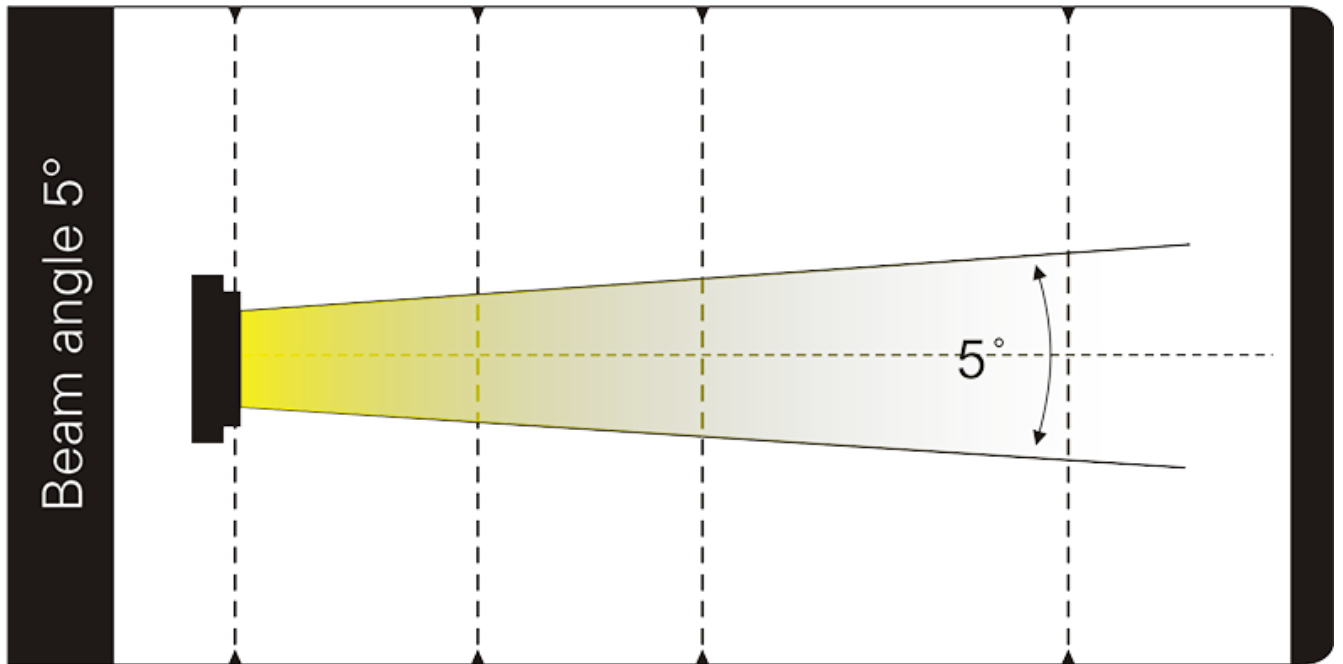


Intensity LUX

74934

66320

35500



Distance(m)

13

15

20

Diameter(m)

Φ 1

Φ 1.20

Φ 1.62

Errors and omissions are possible. All specifications are subject for change without prior notice.