

## S620BL IP Beam

SMART Defender



### Product parameters

#### Optical system

Source: Philips MSD Infinity, 420W

Fixture CT : 7200K

Light source life expectancy : 5000 hours service life at full power; 8000 hours service life in entertainment mode (based on Golden Sea Laboratory data; actual performance may vary depending on the operating environment)\*

Illuminance: up to 245000lux@20m

#### Movement

Pan: 540 ° /630 ° optional(16 bit)

Tilt: 270 ° (16 bit)  
Auto pan/ tilt repositioning

Color system

CMY color mixing

1 color wheel : 14 dichroic filters + open , indexable, split color effect, rainbow effect

Gobo system

1 Static gobo wheel:15 gobos + open

Effect

Motorized focus

Beam angle: 1.5 °

2 Rotating prism: 4 linear prism + 8 facet prism, indexable, rotating in both directions , 16 prism macros

Frost

Dimming: 0-100% linear dimming

Shutter: mechanical, variable from 1-25Hz or pulse

Protection rating

IP66

Display

Display: without rechargeable battery (optional with rechargeable battery, locked automatically after standby for 15 seconds )

Pan/tilt disengage (hold Left and Right arrow buttons), support to complete the reset detection in the flight case

Software

Upgrade with DMX

Remote reset DMX address and fixture by DMX

Run time of fixture and light source

2 Control channel modes: 20/29 CH  
Auto thermal protection


Control  
Input signal isolation  
RDM protocol

Electric parameter  
AC200-240V, 50/60Hz  
Power consumption: 650W


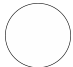
Dimension and weight  
Product dimension: 395x270x696mm  
Packing dimension (carton): 808x475x385mm  
Net weight: 26kg  
Gross weight (carton): 30kg

\*Testing conditions in the lab may differ based on various factors.

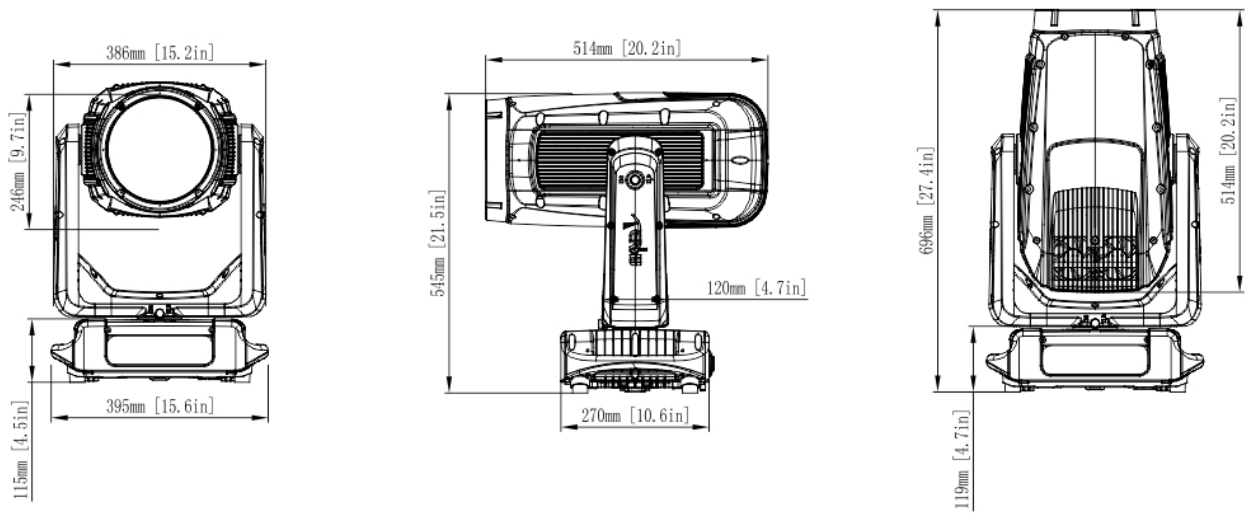
### Colours/ Gobos

COLOR WHEEL: 

:

STATIC GOBO WHEEL:   


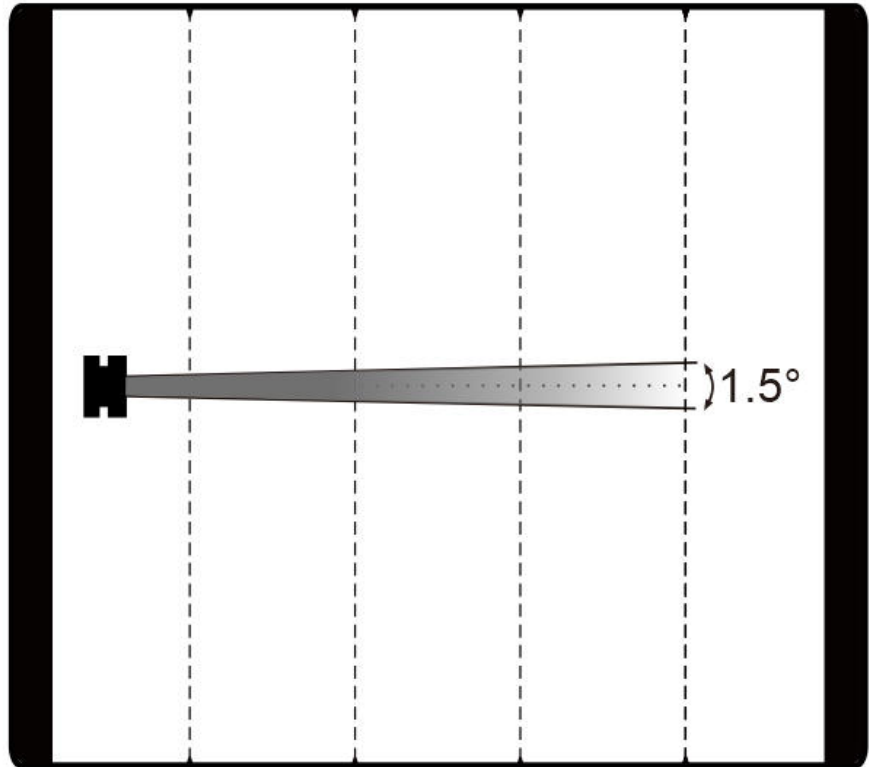
## Dimensions



## Photometrics

Intensity LUX (1.5°)

3924448 981112 436049 245278



Distance(m)

5

10

15

20

Diameter(m)

Φ0.13

Φ0.26

Φ0.4

Φ0.535

Errors and omissions are possible. All specifications are subject for change without prior notice.