

## S620BL Beam

SMART Series



### Product parameters

#### Optical system

Source: Philips MSD Platinum 19 R LL, 420W

Fixture CT : 7200K

Light source life expectancy : 5000 hours service life at full power; 8000 hours service life in entertainment mode (based on Golden Sea Laboratory data; actual performance may vary depending on the operating environment)\*

Illuminance: up to 245000ux@20m

#### Movement

Pan: 540 ° /630 ° optional(16 bit)  
Tilt: 270 ° (16 bit)

Auto pan/ tilt repositioning

Color system  
CMY color mixing

1 color wheel : 14 dichroic filters + open , indexable, split color effect, rainbow effect

Gobo system

1 Static gobo wheel:15 gobos + open

Effect

Motorized focus

Beam angle: 1.5 °

2 Rotating prism: 4 linear prism + 8 facet prism, indexable, rotating in both directions , 16 prism macros

Frost

Dimming: 0-100% linear dimming

Shutter: mechanical, variable from 1-25Hz or pulse

Protection rating

IP20

Display

Display: without rechargeable battery (optional with rechargeable battery, locked automatically after standby for 15 seconds )

Pan/tilt disengage (hold Left and Right arrow buttons), support to complete the reset detection in the flight case

Software

Upgrade with DMX

Remote reset DMX address and fixture by DMX

Run time of fixture and light source

3 Control channel modes: 19/17/27 CH

Auto thermal protection

Control

Input signal isolation

RDM protocol

Electric parameter

AC200-240V, 50/60Hz

Power consumption: 600W

### Dimension and weight

Product dimension: 395x270x617mm

Packing dimension (carton): 730x475x385mm

Net weight: 20 kg

Gross weight (carton): 24 kg

\*Testing conditions in the lab may differ based on various factors.

### Colours/ Gobos

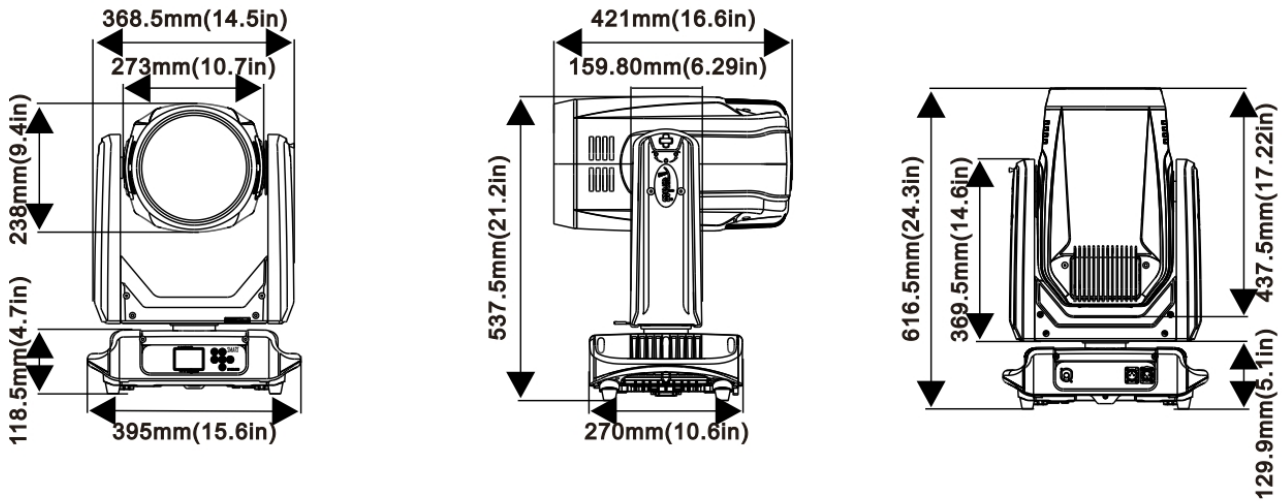
COLOR WHEEL: 

:

STATIC GOBO WHEEL: 

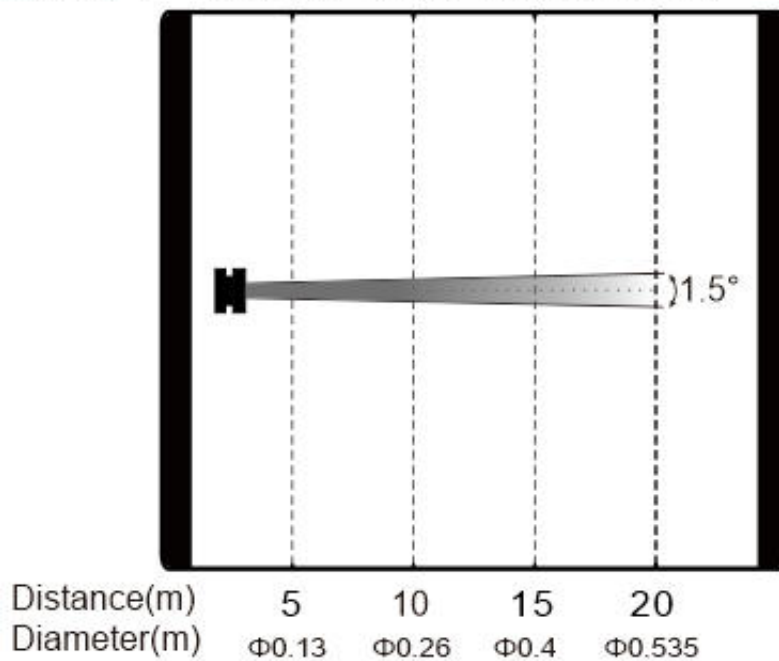


### Dimensions



## Photometrics

Intensity LUX (1.5°) 3924448 981112 436049 245278



Errors and omissions are possible. All specifications are subject for change without prior notice.