

SLX IP Beam



Product parameters

Optical system

Source: 40W RGB laser

Fixture CT : adjustable from 2700K to 8000K

Light source life expectancy : 30000 hours Average Light Source Life*

Illuminance: up to 660000lux @ 30m

Movement

Pan: 540 ° /630 ° optional(16 bit)

Tilt: 270 ° (16 bit)

Auto pan/ tilt repositioning

Color system

RGB color mixing, color gamut covers 150% of NTSC and 100% of BT.2020

Gobo system

1 Static gobo wheel: 15 gobos + open.

Effect

Motorized focus

Zoom range: 0.2 ° -30 °

Auto focus

1 Rotating prism: 6 facet + 8 facet , findexable, rotating in both directions

Frost system

Dimming: 0-100% linear dimming

Strobe: electronic, variable from 1-25Hz or pulse

Protection rating

IP66

Display

Display: Battery operated for fast addressing, 15 seconds standby auto lock

Pan/tilt disengage (hold Left and Right arrow buttons), support to complete the reset detection in the flight case

Software

Upgrade with DMX

Remote reset DMX address and fixture by DMX

Run time of fixture and light source

2 Control channel modes: 20/30 CH

Auto thermal protection

Control

Input signal isolation

Optional installed wireless receiver: 4G module cloud system, mobile APP access

RDM protocol

Electric parameter

AC200-240V, 50/60Hz

Power consumption: 450W (standby power), 500W (active power)

Dimension and weight

Product dimension: 395x270x695mm

Packing dimension (carton): 808x475x385mm

Net weight: 30kg

Gross weight (carton): 33kg

*Testing conditions in the lab may differ based on various factors.

Colours/ Gobos

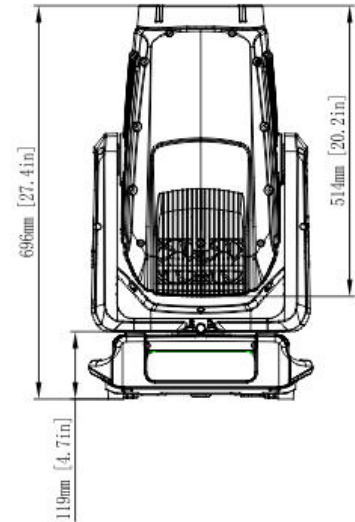
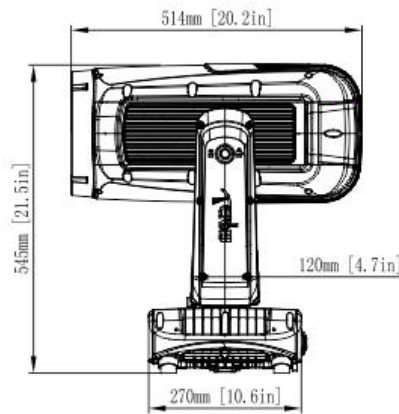
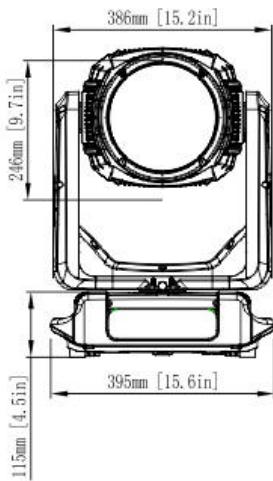
:

:

STATIC GOBO WHEEL:



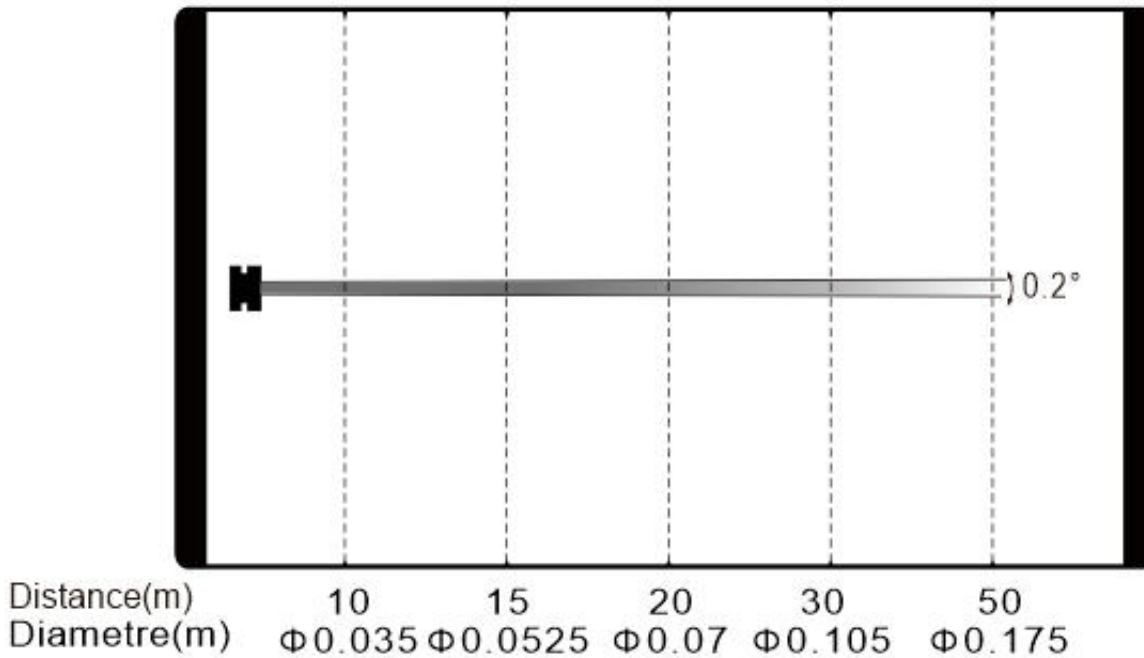
Dimensions



Photometrics

Min Field angle (0.2 °)

Intensity LUX 600000 266000 150000 66000 24000



Errors and omissions are possible. All specifications are subject for change without prior notice.