

SL18P LED PROFILE

SMART Series



Product parameters

Optical system

Source: 1800W White LED

Fixture CT: 6500K

Light source life expectancy : 20,000 hours Average Light Source Life*

CRI: Ra 70 (SL18PH : Ra 95)

Optical lens: High-definition optical lens

Movement

Pan: 540 ° /630 ° optional(16 bit)

Tilt: 270 ° (16 bit)

Auto X/Y repositioning

Color system

CMY+CTO color mixing

Color temperature linear: 2700K-6500K

1 Color wheel: 6 dichroic filters + open

Gobo system

1 Rotating gobo wheel:6 interchangeable gobos + open. Gobo OD: 36mm

1 Static gobo wheel:7 interchangeable gobos + open

1 Animation wheel

Effects

Motorized focus

Zoom range: 5.5 ° - 50 °

Auto focus

2 Rotating prisms: 4 linear + 4 facet

Frost: light frost, heavy frost

4 individually positionable blades with $\pm 90^\circ$ rotation of the complete framing system

Iris

Dimming: 0-100% linear dimming

Strobe: electronic, variable from 1-25Hz or pulse

GAMMA: 2.0, 2.2, 2.4, 2.6, 2.8, to fit different camera's linearity

Refresh rate: 900Hz-25000Hz

Protection rating

IP20

Display

Pan/tilt disengage (hold Left arrow and Right arrow buttons)

Software

Upgrade with DMX

Remote reset DMX address and fixture by DMX

Run time of fixture and light source

2 Control channel modes: 40/62CH
Auto thermal protection circuit

Control
Input signal isolation
Optional installed wireless receiver
RDM protocol

Electric parameter
AC200-240V, 50/60Hz
Power: 1950W

Dimension and weight
Product dimension: 466x321x819mm
Net weight: 42 kg

*Testing conditions in the lab may differ based on various factors.

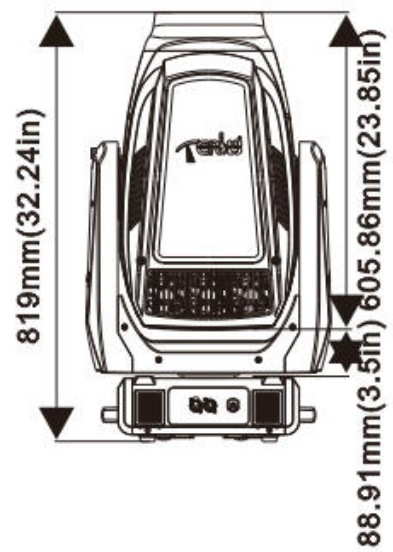
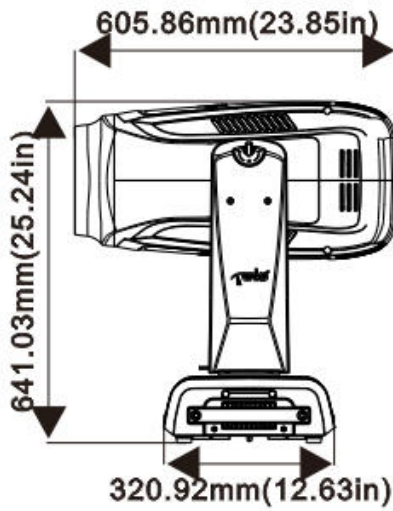
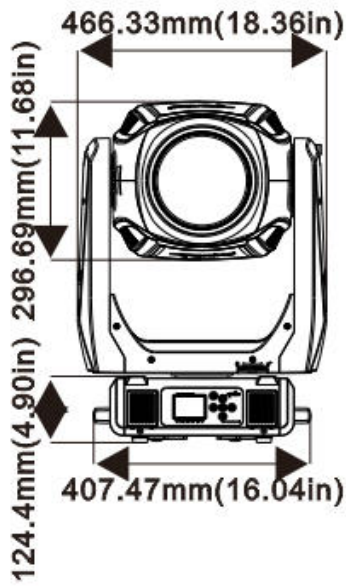
Colours/ Gobos

COLOR WHEEL: 

ROTATING GOBO WHEEL: 

STATIC GOBO WHEEL: 

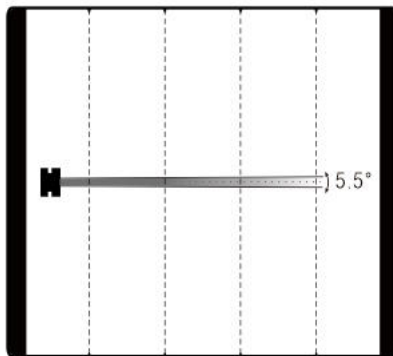
Dimensions



Photometrics

Min. Field Mode (5.5 °)

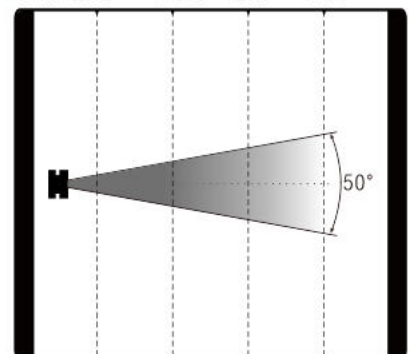
Intensity LUX 123515 30879 13724 7720



Distance(m)	5	10	15	20
Diametre(m)	Φ0.5	Φ1	Φ1.5	Φ2

Max. Field Mode(50°)

Intensity LUX 5027 1256 560 315



Distance(m)	5	10	15	20
Diametre(m)	Φ4.2	Φ8.4	Φ12.5	Φ16.8

Errors and omissions are possible. All specifications are subject to change without prior notice.