

## GS-PAR19 LED PAR



### Product parameters

#### Optical system

Source: 19x20W RGBW LED

Fixture CT: 6000K, CCT channel: Color temperature adjustment

Light source life expectancy : 50,000 hours Average Light Source Life\*

CRI: Ra 70(optional High CRI: Ra: up to 90 )

Output: 10300lm@VISO (10 ° )

#### Color system

## RGBW color mixing

### Effects

Beam angle: 10 ° ( 20 ° /25 ° /30 ° /45 ° /60 ° optional )

Dimming: 0-100% linear dimming

Strobe: electronic, variable from 1-25Hz or pulse

Ring control

GAMMA: 2.0 , 2.2,2.4,2.6,2.8, to fit different camera's linearity

Refresh rate: 1K,2K,3K,4K,5K,6K,10K,15K,20K,25K

## Protection rating

IP66

## Display

## Fast addressing

## Software

Upgrade with DMX

Remote reset DMX address and fixture by DMX

Run time of fixture and light source

3 Control channel modes: 9/11/18CH

## Auto thermal protection circuit

## Control

DMX512, RDM compatible(optional)

## Electric parameter

AC100-220V, 50/60Hz

Power: 400W

## Dimension and weight

Product dimension: 293x145x310mm

Net weight: 6kg

\*Testing conditions in the lab may differ based on various factors.

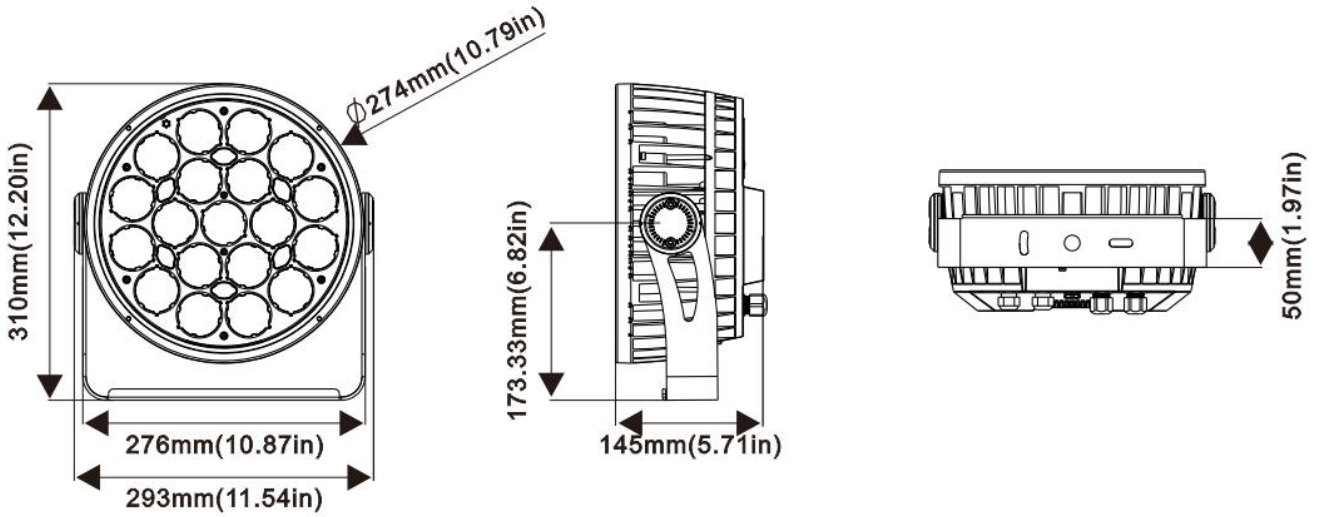
## Colours/ Gobos

:

:

:

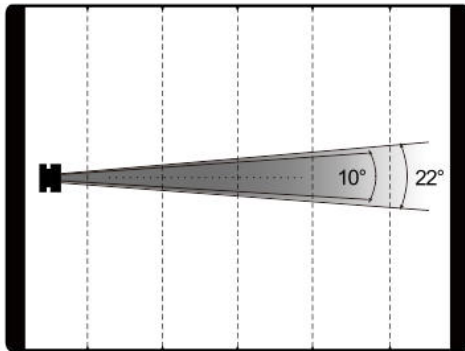
## Dimensions



## Photometrics

Beam angle (10°)  
Filed angle (22°)

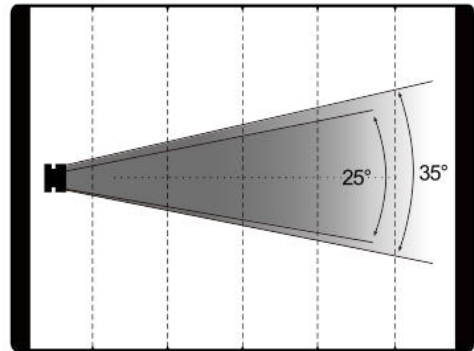
Red leds	16780	4195	1864	1049	671
Green leds	39561	9890	4396	2473	1582
Blue leds	8780	2195	976	549	351
White leds	47394	11848	5266	2962	1896
Full leds	135652	33913	15072	8478	5426



Distance(m)	1	2	3	4	5
Diameter(m)	$\phi 0.2$	$\phi 0.4$	$\phi 0.6$	$\phi 0.8$	$\phi 1$

Beam angle (25°)  
Field angle (35°)

Red leds	7890	1972	877	493	316
Green leds	19955	4989	2217	1247	798
Blue leds	4456	1114	495	279	178
White leds	23954	5988	2662	1497	958
Full leds	50806	12702	5645	3175	2032



Distance(m)	1	2	3	4	5
Diameter(m)	$\phi 0.4$	$\phi 0.7$	$\phi 1.1$	$\phi 1.5$	$\phi 1.8$

Errors and omissions are possible. All specifications are subject for change without prior notice.