

## T400WW LED PROFILE



### Product parameters

#### Optical system

Source: single high-power white LED

Fixture CT: 3200K

Light source life expectancy : 50,000 hours Average Light Source Life\*

CRI: up to 98

Beam angle: 15 ° -36 °

#### Effects

Dimming: 0-100% linear dimming

Strobe: Up to 25Hz

Gamma: 2.0, 2.2, 2.4, 2.6 , 2.8 , to fit different visual linearity requirements

Refresh rate: 900Hz-1500Hz, 2,5K, 4K, 5K, 6K, 10K, 15K, 20K, 25K

Protection rating

IP20

Display

Black and white display panel and touch keys

Software

Upgrade with DMX, super quiet fan control

2 Control channel modes : 1/4CH

Control

RDM Protocol

Electric parameter

AC200-240V, 50/60Hz

Power: 450W

### Dimension and weight

Product dimension: 328x439x736mm

Packing dimension (carton): 495x345x315mm

Net weight: 9 kg (just body, not including lens)

Gross weight (carton): 11 kg

\*Testing conditions in the lab may differ based on various factors.

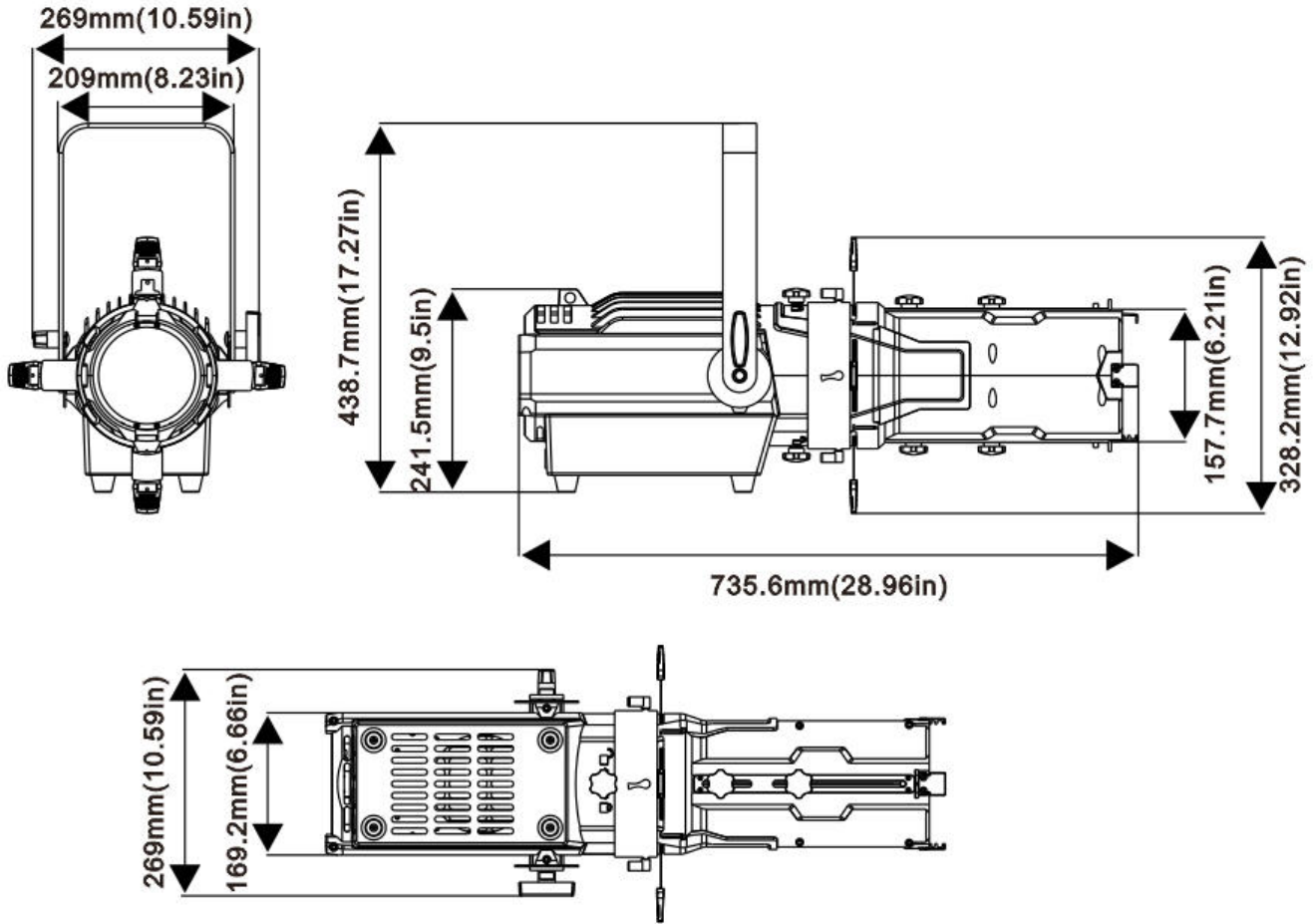
### Colours/ Gobos

:

:

:

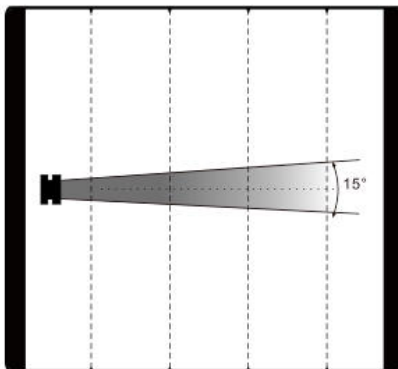
### Dimensions



## Photometrics

Beam angle (15°)

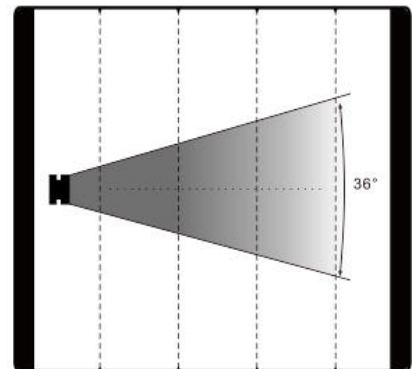
Full leds 5903 1476 656 369



Distance(m)	5	10	15	20
Diameter(m)	Φ1.4	Φ2.8	Φ4.2	Φ5.6

Beam angle (36°)

Full leds 1544 386 172 96



Distance(m)	5	10	15	20
Diameter(m)	Φ3	Φ6	Φ9	Φ12

Errors and omissions are possible. All specifications are subject for change without prior notice.