

GLW1940 IP LED WASH

Defender



Product parameters

Optical system

Source: 19x40W RGBL(L for lime) LED (optional RGBW)

Light source life expectancy : 50,000 hours Average Light Source Life*

Fixture output : 13000lm

Movement

Pan: 540 ° (16 bit)

Tilt: 270 ° (16 bit)

Auto X/Y repositioning

Color system

RGBL (RGBW) color mixing

Color temperature linear: 2700K to 8000K , Color temperature presets:
2700K,3200K,4300K,5600K,6500K,8000K

Effects

Zoom range: 4.5 ° -29 ° (beam angle) , 5.7 ° -55 ° (field angle)

Dimming: 0-100% linear dimming

Strobe: electronic, variable from 1-25Hz or pulse

Pixel Control

GAMMA: 2.0, 2.2, 2.4, 2.6, 2.8, to fit different cameras' linearity

Refresh rate: 900Hz-25,000Hz

Protection rating

IP66

Display

Battery operated for fast addressing,45 seconds standby auto lock

Software

Upgrade with DMX

Remote reset DMX address and fixture by DMX

Run time of light source and fixture

2 Control channel modes: 25/95CH

Auto thermal protection circuit

Control

Input signal isolation

Optional Art-Net control

RDM protocol

Electric parameter

AC200-240V, 50/60Hz

Power: 850W

Dimension and weight

Product dimension: 270x395x472mm

Packing dimension (carton): 580X485X385mm

Net weight: 18kg

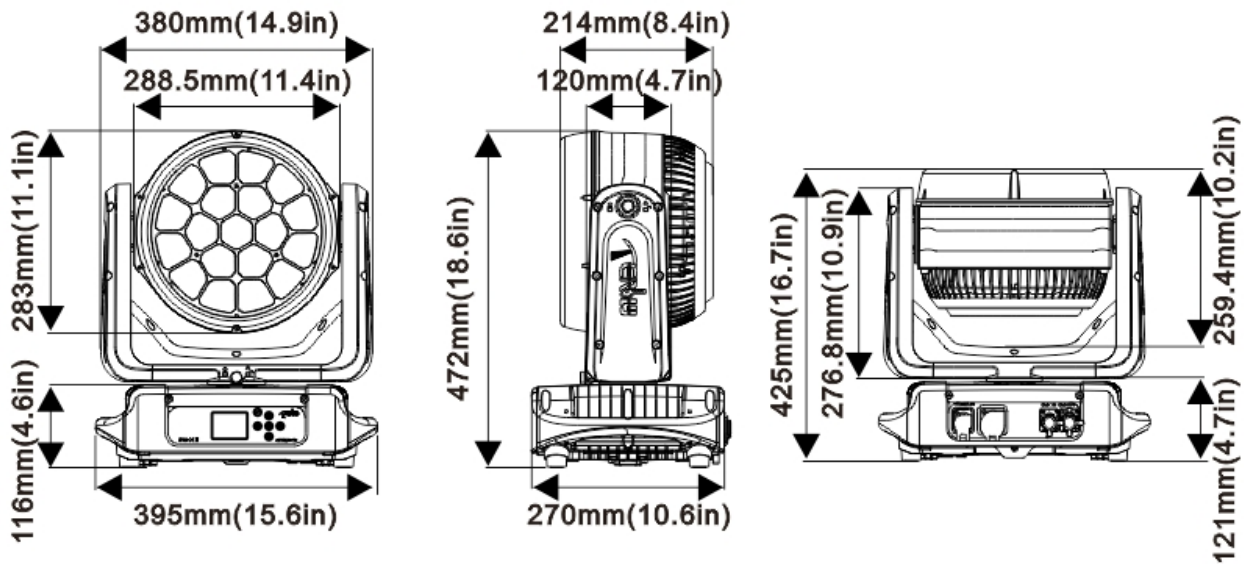
Gross weight (carton): 22kg

*Testing conditions in the lab may differ based on various factors.

Colours/ Gobos

:
:
:

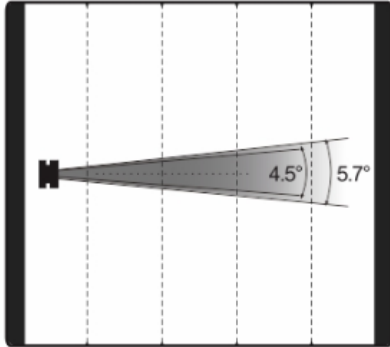
Dimensions



Photometrics

RGBL Min. Filed angle (4.5°)
Min. Beam angle (5.7°)

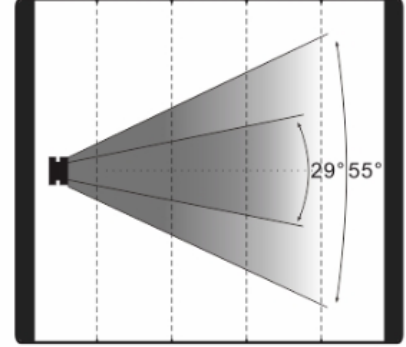
Red leds	9800	2450	1089	613
Green leds	16656	4164	1851	10141
Blue leds	3783	946	420	236
Lime leds	29231	7308	3248	1827
Full leds	50169	12542	5574	3136



Distance(m)	5	10	15	20
Diameter(m)	Φ0.4	Φ0.8	Φ1.2	Φ1.6

RGBL Max. Field angle (29°)
Max. Beam angle (55°)

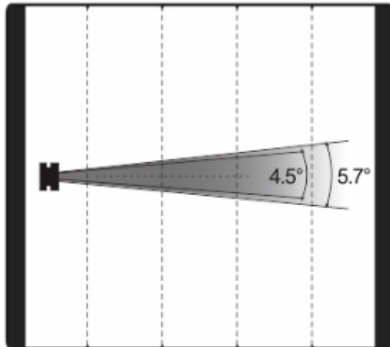
Red leds	521	130	58	33
Green leds	905	226	101	57
Blue leds	212	53	24	13
Lime leds	1557	389	173	97
Full leds	2222	556	247	139



Distance(m)	5	10	15	20
Diameter(m)	Φ5	Φ10	Φ15	Φ20

RGBW Min. Filed angle (4.5°)
Min. Beam angle (5.7°)

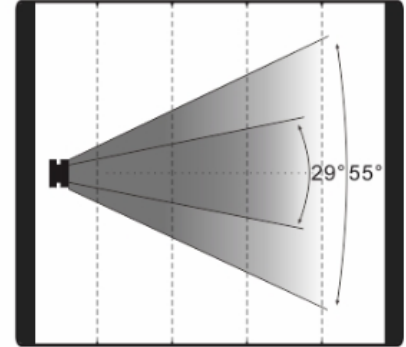
Red leds	9800	2450	1089	613
Green leds	16656	4164	1851	10141
Blue leds	3783	946	420	236
Lime leds	15455	3864	1717	966
Full leds	35698	8924	3966	2231



Distance(m)	5	10	15	20
-------------	---	----	----	----

RGBW Max. Field angle (29°)
Max. Beam angle (55°)

Red leds	521	130	58	33
Green leds	905	226	101	57
Blue leds	212	53	24	13
Lime leds	832	208	92	52
Full leds	2020	505	224	126



Distance(m)	5	10	15	20
-------------	---	----	----	----

Errors and omissions are possible. All specifications are subject to change without prior notice.