
FS800M FOLLOW SPOT



Product parameters

Optical system

Source: Philips Platinum 35ST, 800W

Fixture CT: 6000K , CTO: manual

Life span : >750h

Fixture output: 17,000lm

Color system

Color filters: 6 interchangeable color filters

Effects

Focus: manual

Zoom: 5.5 ° - 18 ° , manual



Frost : manual
Iris : manual
Dimming: 0-100% linear dimming,manual

Protection rating
IP20

Software
Run time of fixture and light source

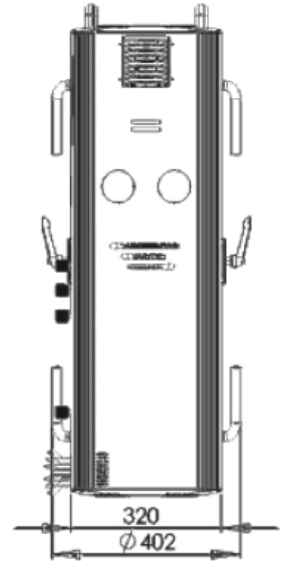
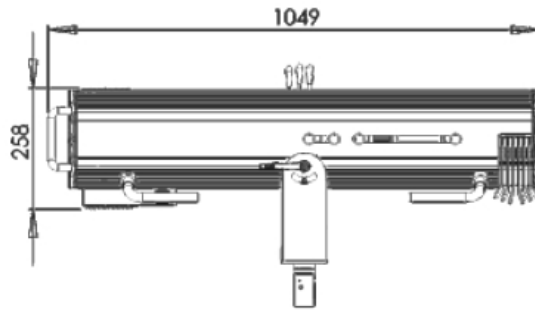
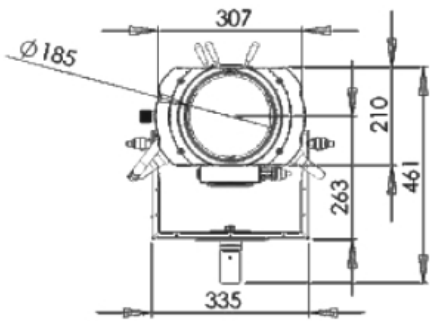
Electric parameter
AC100-240V, 50/60Hz
Power: 950W

Dimension and weight
Product dimension: 40.2x21.0x104.9cm
Packing dimension (carton): 119.5x62.5x52.5cm
Net weight: 36.7kgs
Gross weight (carton): 44.7kgs

Colours/ Gobos

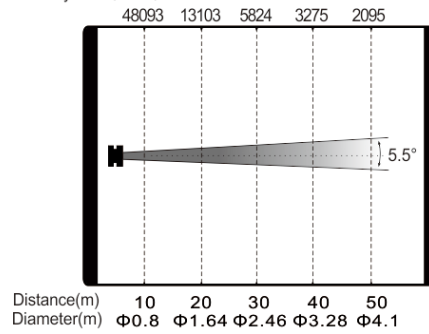
:
:
:

Dimensions

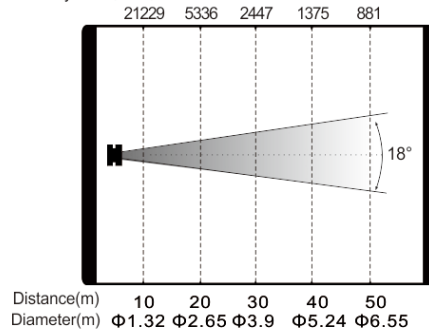


Photometrics

Intensity LUX (5.5°)



Intensity LUX (18°)





Errors and omissions are possible. All specifications are subject for change without prior notice.