

---

## S620B IP BEAM

SMART Defender



### Product parameters

#### Optical system

Source: Philips MSD Platinum 19 R LL, 420W

Fixture CT : 7200K

Light source life expectancy : 5000 hours Average Light Source Life\*

\*Testing conditions in the lab may differ based on various factors.

#### Movement

Pan: 540 ° /630 ° optional(16 bit)

Tilt: 270 ° (16 bit)

Auto pan/ tilt repositioning

#### Color system



---

## CMY color mixing

1 color wheel : 14 dichroic filters + open , indexable, split color effect, rainbow effect

## Gobo system

1 Static gobo wheel:15 gobos + open

## Effect

Motorized focus

Beam angle: 1.6 °

2 Rotating prism: 4-facet linear prism + 8-facet circular prism, indexable, rotating in both directions , 16 prism macros

Frost

Dimming: 0-100% linear dimming

Strobe: electronic, variable from 1-25Hz or pulse

## Protection rating

IP66

## Display

Display: optional with rechargeable battery, locked automatically after standby for 15 seconds

Pan/tilt disengage (hold Left and Right arrow buttons), support to complete the reset detection in the flight case

## Software

Upgrade with DMX

Remote reset DMX address and fixture by DMX

Run time of fixture and light source

2 Control channel modes: 20/29 CH

Auto thermal protection

## Control

Input signal isolation



---

## RDM protocol

### Electric parameter

AC100-240V, 50/60Hz

Power consumption: 630W

### Dimension and weight

Product dimension: 395x270x696mm

Packing dimension (carton): 808x475x385mm


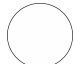
Net weight: 25.82kg

Gross weight (carton): 30.02kg

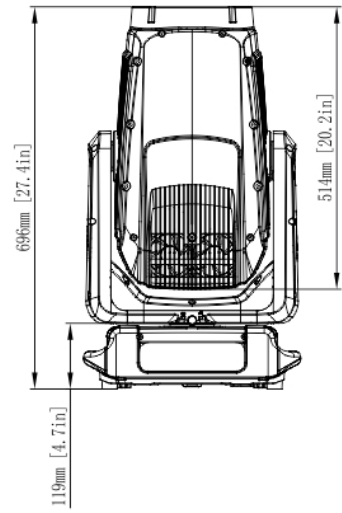
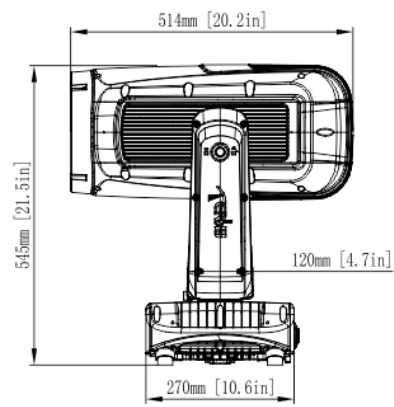
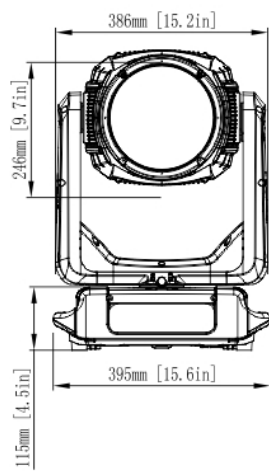
### Colours/ Gobos

COLOR WHEEL: 

:

STATIC GOBO WHEEL:   


### Dimensions



## Photometrics



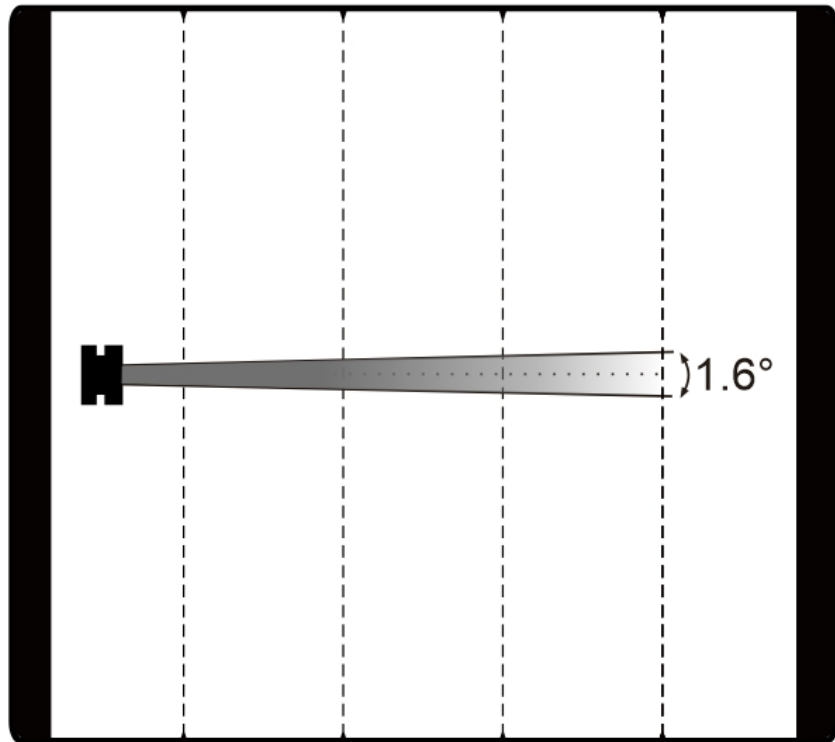
Intensity LUX (1.6°)

392448

981112

436049

245278



Distance(m)

5

10

15

20

Diameter(m)

Φ0.13

Φ0.26

Φ0.4

Φ0.535

Errors and omissions are possible. All specifications are subject for change without prior notice.