



## TP300 TW LED PANEL



### Product parameters

#### Optical system

Source: High and low CT white LED

Fixture CT: 2700K-8000K adjustable

LED life expectancy : 50,000h

CRI: Ra: up to 98

Fixture output: 14000lm

#### Color system

CW, WW color mixing

#### Effects

Zoom range: 115 ° (beam angle), 160 ° (field angle)

Dimming: 0-100% linear dimming



---

Strobe: 1-25Hz , optional for synchronous strobe, pulse strobe and asynchronous strobe

GAMMA: 2.0/2.2/2.4/2.6/2.8

Refresh rate: 32KHz

Scene Effects: Six LED panels with independent zone control, capable of creating various scene effects

Protection rating

IP20

Display

Display

Software

Built-in macro effects

Upgrade with DMX

Remote reset DMX address and fixture by DMX

Run time of fixture and light source

Operational modes: DMX512/manual

2 Control channel modes: 7/22CH

Control

Input signal isolation

Auto thermal protection circuit

RDM protocol

Electric parameter

AC100-240V, 50/60Hz

Power: 300W

Dimension and weight

Product dimension: 680x408x107mm

Packing dimension (carton): 800x500x190mm

Net weight: 11.6 kg



Gross weight (carton): 11.34 kg

### Others

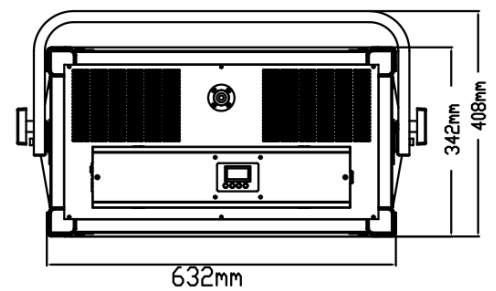
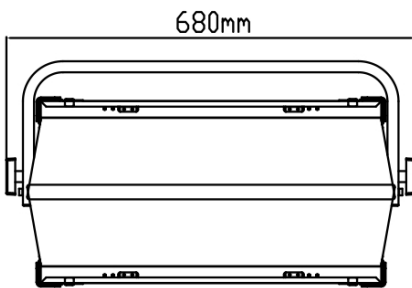
Accessory: honeycomb cover,barndoor,lamp hook,mounting seat

Optional version : CW+WW,FW,CW,WW

### Colours/ Gobos

:  
:  
:

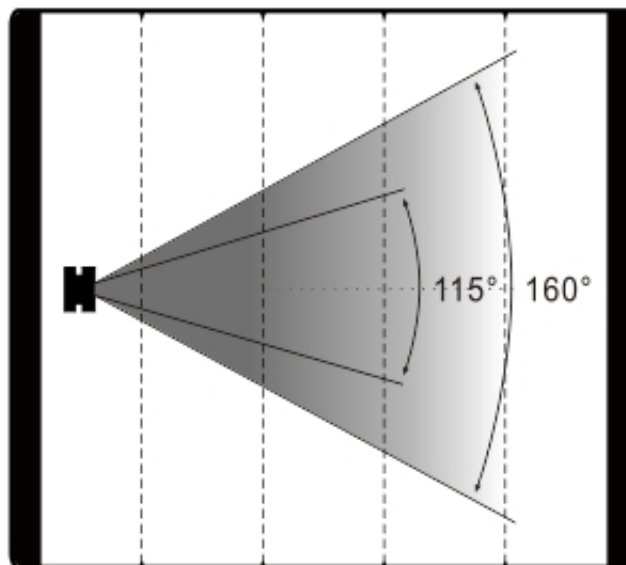
### Dimensions



### Photometrics

Intensity LUX

4521 1130 502 283



Distance(m)

1

2

3

4

Diameter(m)

Φ 3.1

Φ 6.2

Φ 9.4

Φ 12.5

Errors and omissions are possible. All specifications are subject for change without prior notice.