
GLW1960 IP LED WASH

Defender Series



Product parameters

Optical system

Source: 19x60W RGBW LED

Lamp life expectancy : 20,000h

CRI: 70

Fixture output:18,000lm

Movement

Pan: infinite rotation(16 bit)

Tilt: infinite rotation (16 bit)

Auto X/Y repositioning

Color system



RGBW color mixing

Color temperature linear: 2700K to 8500K

Effects

Zoom range: 5.5 ° -55 ° (beam angle), 7 ° -72 ° (field angle)

Dimming: 0-100% linear dimming

Strobe: electronic, variable from 1-25Hz or pulse

Pixel control

GAMMA: 2.0, 2.2, 2.4, 2.6, 2.8, to fit different visual linearity requirements

Protection rating

IP65

Display

LCD display

Pan/tilt disengage (hold Left arrow and Right arrow buttons)

Software

Upgrade with DMX and USB as optional

Remote reset DMX address and fixture by DMX

Run time of fixture and light source

3 Control channel modes

Control

Input signal isolation

Optional installed wireless receiver

Art-Net control

RDM protocol

Electric parameter

AC100-240V, 50/60Hz

Power: 1600W

Dimension and weight

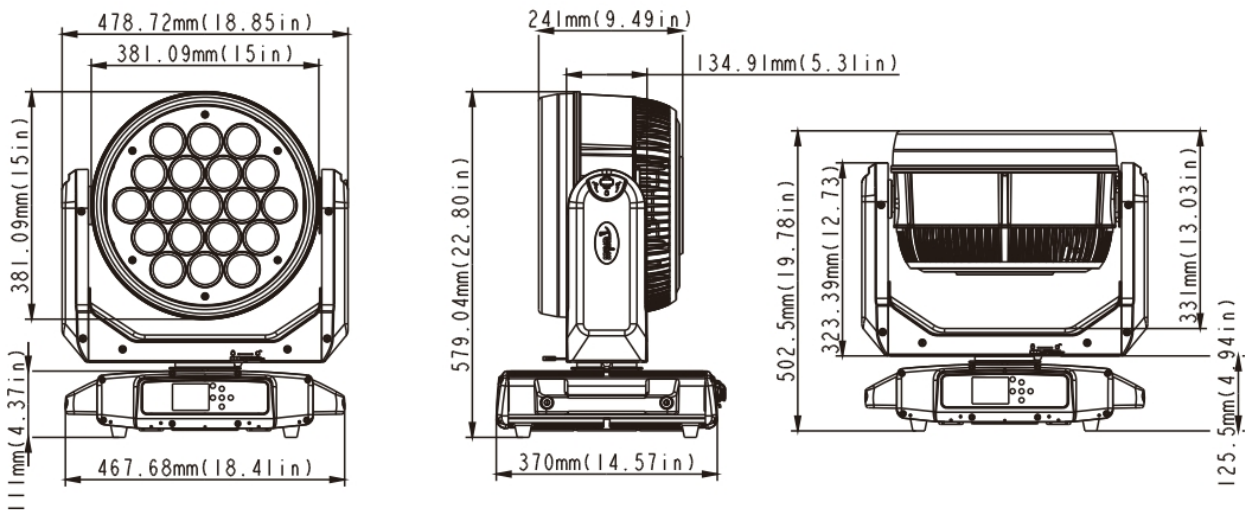


Product dimension: 478.7x370x579mm
Net weight: 33 kg

Colours/ Gobos

:
:
:

Dimensions



Photometrics

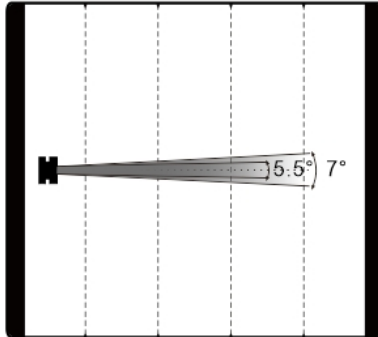


Min. Field angle 5.5°

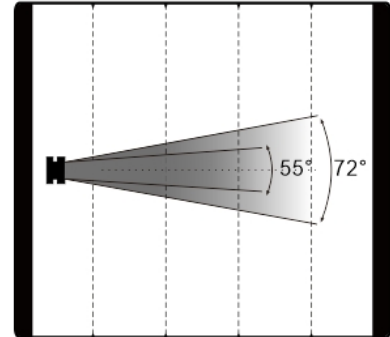
Red leds	8702	2176	967	544
Green leds	16764	4191	1863	1048
Blue leds	5059	1265	562	316
White leds	26663	6666	4963	1666
Full leds	40098	10025	4455	2506

Max. Field angle 72°

Red leds	214	53	24	13
Green leds	443	111	49	28
Blue leds	138	34	15	9
White leds	690	172	77	43
Full leds	1023	256	114	64



Distance(m)	5	10	15	20
Diameter(m)	Φ0.5	Φ1	Φ1.5	Φ2



Distance(m)	5	10	15	20
Diameter(m)	Φ5.2	Φ10.4	Φ15.6	Φ20.8

Errors and omissions are possible. All specifications are subject for change without prior notice.