

---

## GLB6 IP LED LINEAR HYBRID



### Product parameters

#### Optical system

Source: 6X60W RGBW LED , 128X1W strobe LED

Fixture CT: 6500K

Lamp life expectancy : 20,000h

CRI: RA 70

Fixture output: 14000lm

#### Movement

Tilt: 200 °

#### Color system

RGBW color mixing



---

Color temperature linear: 2700K to 8000K

Color Presets and Macros

Effects

Zoom range: 5.5 ° -59 ° (beam angle), 7.5 ° -115 ° (field angle)

Dimming: 0-100% linear dimming

Strobe: electronic with various speed

Dual White Strobe Lines (64 pixels per side)

Pixel control

Refresh rate: 900 -25000 Hz

Protection rating

IP65

Display

LCD Display

Pan/tilt disengage (hold Left arrow and Right arrow buttons)

Software

Upgrade with DMX

Remote reset DMX address and fixture by DMX

Run time of fixture and light source

3 Control channel modes

Control

Input signal isolation

Auto thermal protection circuit

Installed wireless receiver

Art-Net control

RDM protocol

Electric parameter

AC100-240V, 50/60Hz

Power: 650W



## Dimension and weight

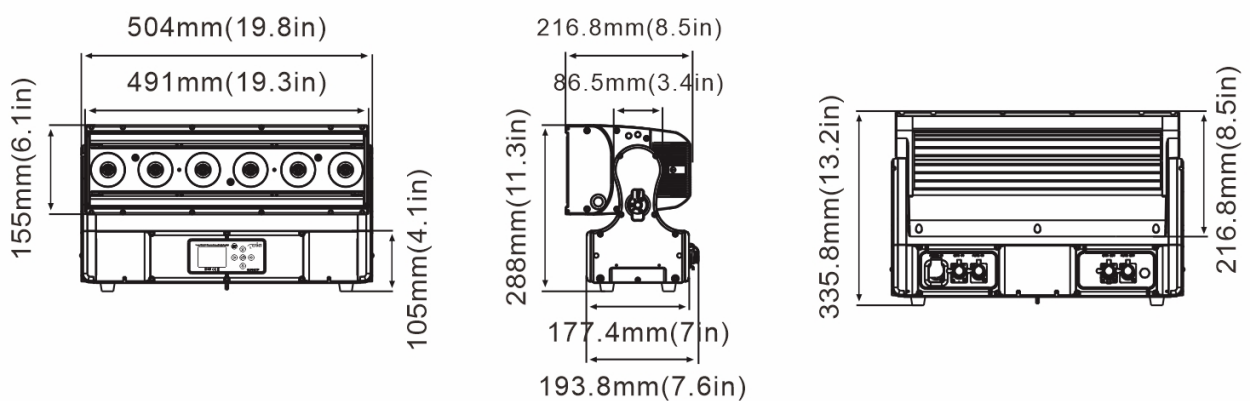
Product dimension: 504x193.8x335.8mm

Net weight: 18Kg

## Colours/ Gobos

:  
:  
:

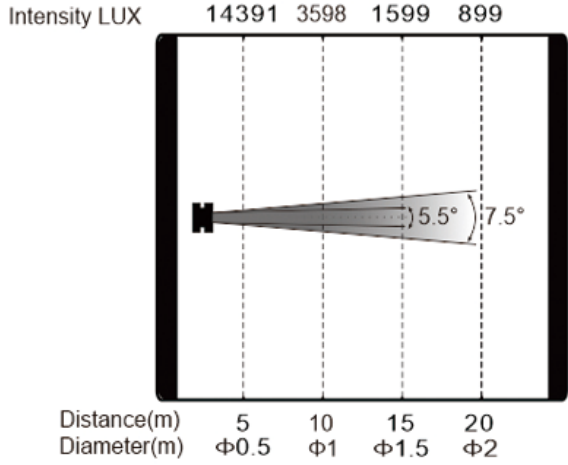
## Dimensions



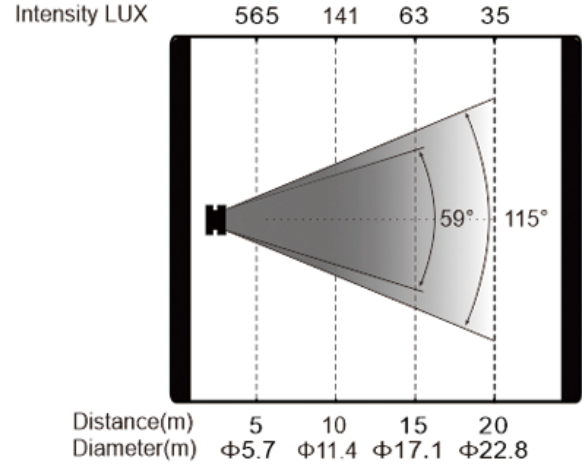


# Photometrics

Min.Beam angle (5.5°)  
Min.Field angle (7.5°)



Max.Beam angle (59°)  
Max.Field angle (115°)



Errors and omissions are possible. All specifications are subject for change without prior notice.