
GLB12 IP LED LINEAR HYBRID



Product parameters

Optical system

Source: 12X60W RGBW LED , 256X1W strobe LED

Fixture CT: 6500K

Lamp life expectancy : 20,000h

CRI: RA 70

Fixture output: 28000lm

Movement

Tilt: 200 °

Color system

RGBW color mixing



Color temperature linear: 2700K to 8000K

Color Presets and Macros

Effects

Zoom range: 6 ° -55 ° (beam angle), 10 ° -82 ° (field angle)

Dimming: 0-100% linear dimming

Strobe: electronic with various speed

Dual White Strobe Lines (128 pixels per side)

Pixel control

Refresh rate: 900 -25000 Hz

Protection rating

IP65

Display

LCD Display

Pan/tilt disengage (hold Left arrow and Right arrow buttons)

Software

Upgrade with DMX

Remote reset DMX address and fixture by DMX

Run time of fixture and light source

2 Control channel modes:(29/188DMX channels)

Control

Input signal isolation

Auto thermal protection circuit

Installed wireless receiver

Art-Net control

RDM protocol

Electric parameter

AC100-240V, 50/60Hz

Power: 1400W



Dimension and weight

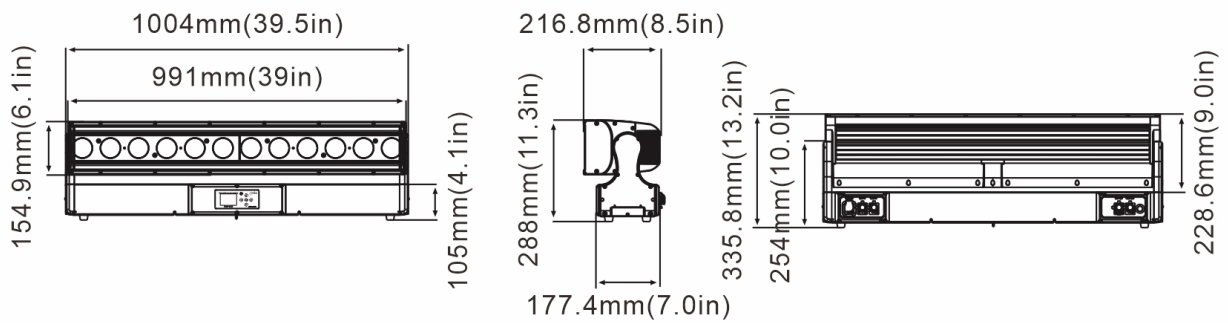
Product dimension: 1004x216.8x335.8mm

Net weight: 33 kg

Colours/ Gobos

:
:
:

Dimensions

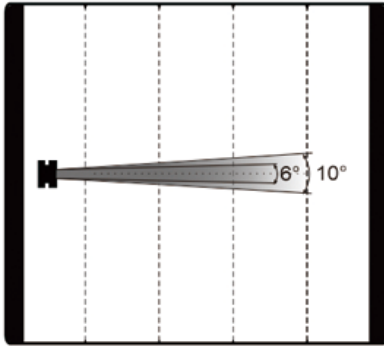


Photometrics



Min.Beam angle (6°)
Min.Field angle (10°)

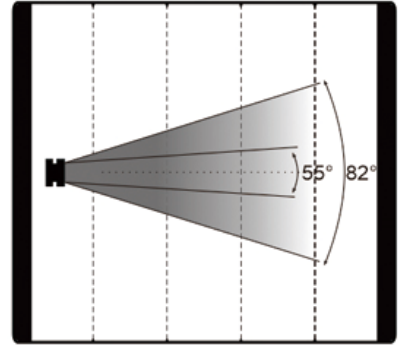
Intensity LUX 17281 4320 1920 1080



Distance(m) 5 10 15 20
Diameter(m) Φ0.6 Φ1.2 Φ1.8 Φ2.4

Max.Beam angle (55°)
Max.Field angle (82°)

Intensity LUX 537 134 60 34



Distance(m) 5 10 15 20
Diameter(m) Φ5.2 Φ10.4 Φ15.6 Φ20.8

Errors and omissions are possible. All specifications are subject for change without prior notice.