

---

## TP300FX LED PANEL



### Product parameters

#### Optical system

Source: R/G/B/W LEDs

Fixture CT: 2700K-8000K adjustable

Lamp life expectancy : 50,000h

CRI: Ra : up to 98 , R9 : up to 96, R15 : up to 97

Fixture output: 20000lm (white LED)

#### Color system

RGBW color mixing

#### Effects

Zoom range: 115 ° (beam angle), 160 ° (field angle)



---

Dimming: 0-100% linear dimming

Strobe: 1-25Hz , optional for synchronous strobe, pulse strobe and asynchronous strobe

GAMMA: 2.0/2.2/2.4/2.6/2.8

Refresh rate: 32KHz

"Scene Effects: Six LED panels with independent zone control, capable of creating various scene effects. Includes 11 built-in scene effects:

(Flame/ Police car/ Stage lighting/ Tungsten lamp/ Fluorescent light flicker/ Paparazzi/ Processing/ Television/ Welding/ Fireworks/ Lightning"

Protection rating

IP20

Display

Display

Software

Built-in macro effects

Upgrade with DMX

Remote reset DMX address and fixture by DMX

Run time of fixture and light source

Operational modes: DMX512/manual

2 Control channel modes: 36/61CH

Control

Input signal isolation

Auto thermal protection circuit

RDM protocol

Electric parameter

AC100-240V, 50/60Hz

Power: 300W

Dimension and weight



Product dimension: 680x408x107mm

Packing dimension (carton): 800x500x190mm

Net weight: 11.6 kg

Gross weight (carton): 12.5 kg

### Others

Accessory: honeycomb cover,barndoor,lamp hook,mounting seat

Optional version : CW+WW,FW,CW,WW

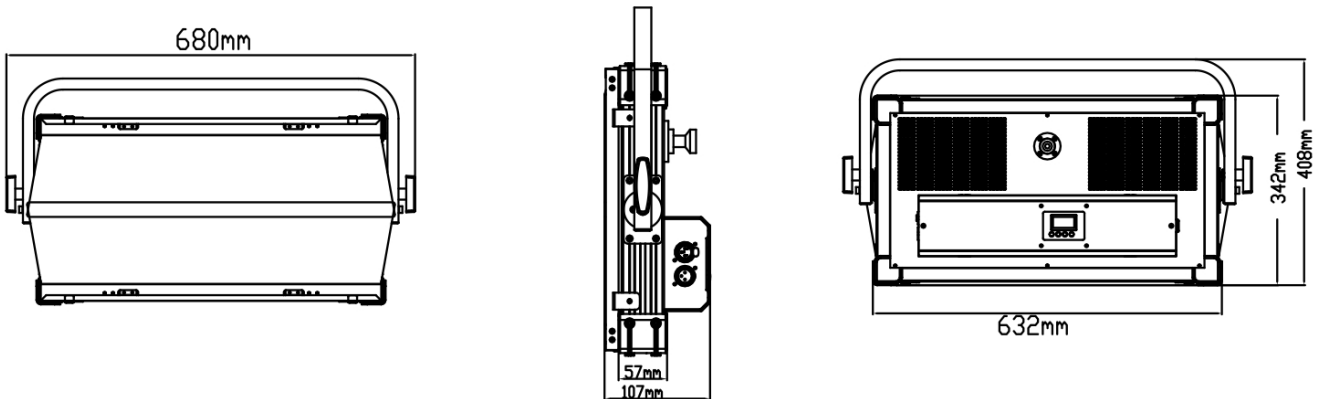
### Colours/ Gobos

:

:

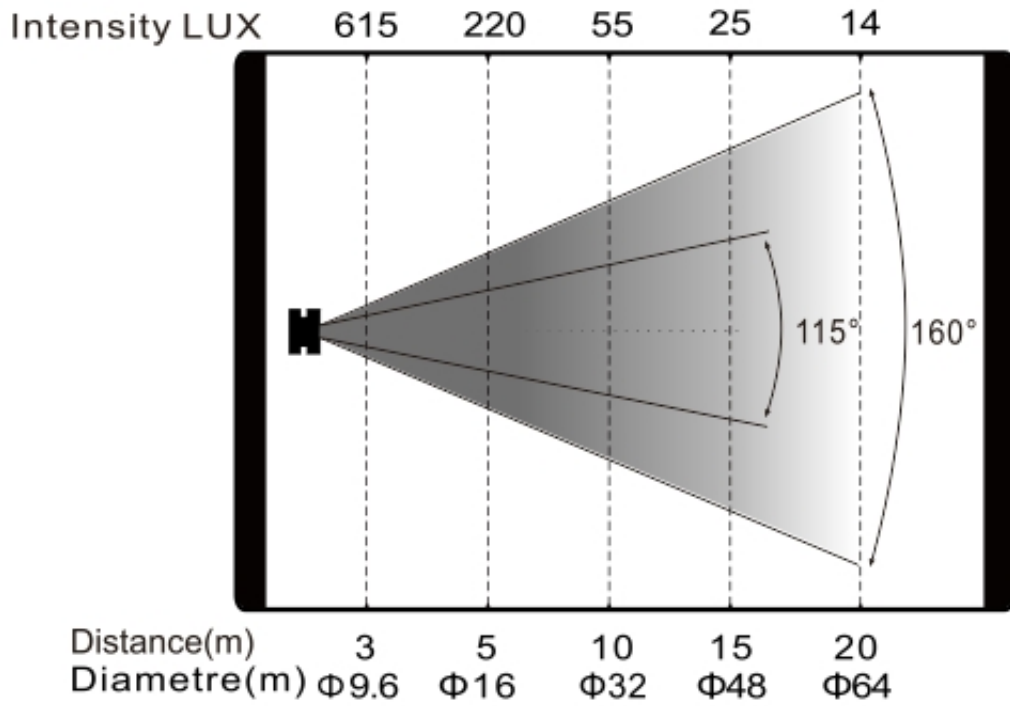
:

### Dimensions





## Photometrics



Errors and omissions are possible. All specifications are subject for change without prior notice.