

---

## GLW740 LED WASH



### Product parameters

#### Optical system

Source: 7x40W RGBL LED, optional RGBW

LED life expectancy : 50,000h

Fixture output: 4200lm

#### Movement

Pan: 540 ° /630 ° optional(16 bit)

Tilt: 250 ° (16 bit)

Auto X/Y repositioning

#### Color system

RGBL color mixing, optional RGBW



---

Color temperature linear: 2700K to 8000K, Color temperature presets: 2700K, 3200K, 4300K, 5600K, 6500K, 8000K

Built-in LEE & ROSCO colored paper

Built-in multiple effects macros

#### Effects

Zoom range: 3.5 ° -38 ° (beam angle) , 6.5 ° -45 ° (field angle)

Dimming: 0-100% linear dimming

Strobe: electronic, variable from 1-25Hz or pulse

Pixel control

GAMMA: 2.0, 2.2, 2.4, 2.6, 2.8, to fit different visual linearity requirements

Refresh rate: 1000-25,000Hz

#### Protection rating

IP20

#### Display

Battery operated for fast addressing, 15 seconds standby auto lock Pan/ tilt disengage (hold Left and Right buttons)

Pan/tilt disengage (hold left and right arrow buttons)

#### Software

Upgrade with DMX

Remote reset DMX address and fixture by DMX

3 Control channel Modes: 24/18/49CH

#### Control

Optional Installed wireless receiver

Art-Net control

Kling-Net protocol

RDM protocol

#### Electric parameter

AC100-240V, 50/60Hz



Power: 400W

### Dimension and weight

Product dimension: 282.4x199.5x344.5mm

Packing dimension (carton): 430x360x295mm

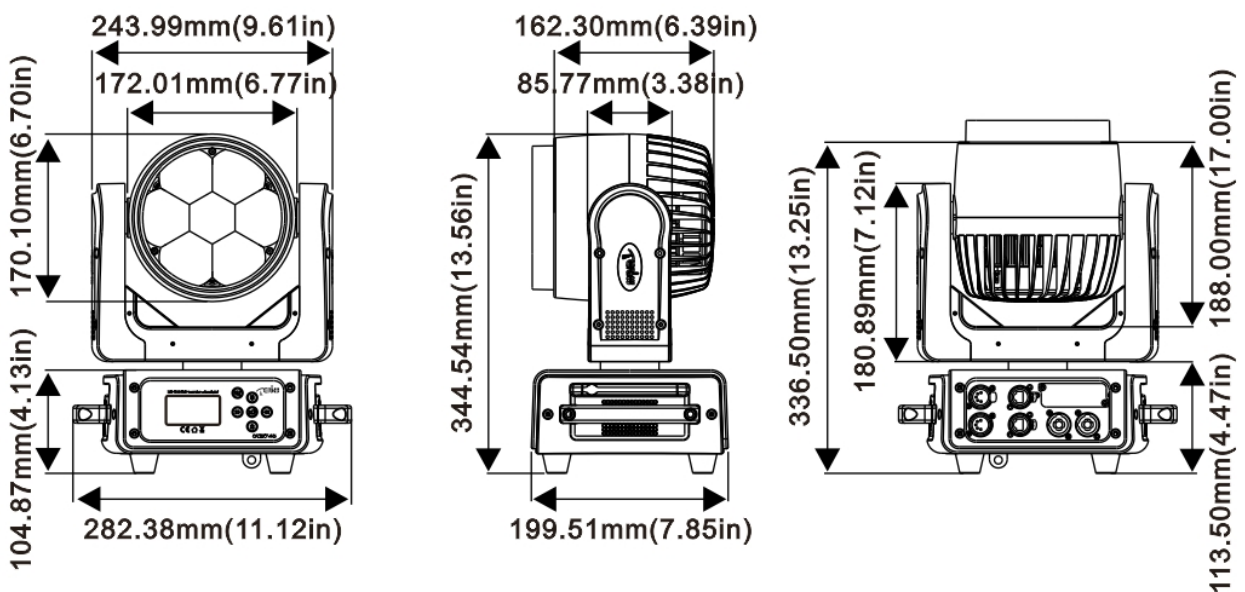
Net weight: 6.2kg

Gross weight (carton): 9.2kg

### Colours/ Gobos

:  
:  
:

### Dimensions



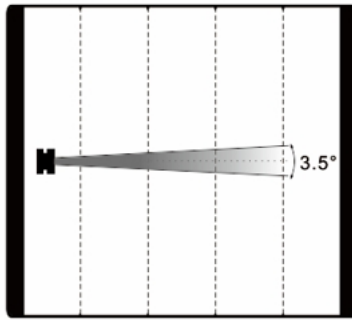


# Photometrics

RGBL

Min. Beam angle 3.5°

|            |       |      |      |      |
|------------|-------|------|------|------|
| Red leds   | 2677  | 669  | 297  | 167  |
| Green leds | 6919  | 1729 | 768  | 432  |
| Blue leds  | 1758  | 439  | 195  | 110  |
| Lemon leds | 9209  | 2302 | 1023 | 576  |
| Full leds  | 17895 | 4474 | 1988 | 1118 |

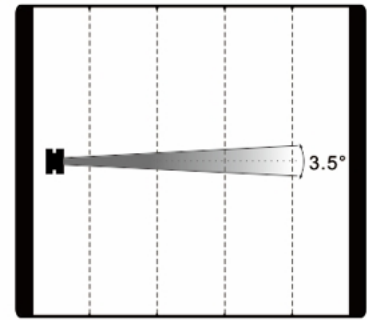


|             |       |       |       |       |
|-------------|-------|-------|-------|-------|
| Distance(m) | 5     | 10    | 15    | 20    |
| Diameter(m) | Φ0.51 | Φ1.02 | Φ1.53 | Φ2.04 |

RGBW

Min. Beam angle 3.5°

|            |       |      |      |     |
|------------|-------|------|------|-----|
| Red leds   | 2327  | 582  | 259  | 145 |
| Green leds | 5865  | 1466 | 652  | 367 |
| Blue leds  | 1318  | 329  | 146  | 82  |
| Lemon leds | 7676  | 1919 | 853  | 480 |
| Full leds  | 15527 | 3882 | 1725 | 970 |

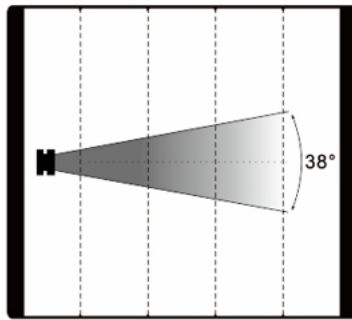


|             |       |       |       |       |
|-------------|-------|-------|-------|-------|
| Distance(m) | 5     | 10    | 15    | 20    |
| Diameter(m) | Φ0.31 | Φ0.62 | Φ0.93 | Φ1.24 |

RGBL

Max. Beam angle 38°

|            |     |     |    |    |
|------------|-----|-----|----|----|
| Red leds   | 91  | 23  | 10 | 6  |
| Green leds | 234 | 59  | 26 | 15 |
| Blue leds  | 59  | 15  | 7  | 4  |
| Lemon leds | 308 | 77  | 34 | 19 |
| Full leds  | 599 | 150 | 67 | 37 |

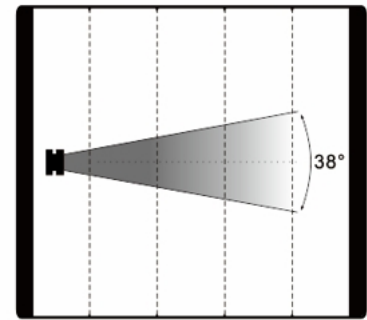


|             |       |       |        |        |
|-------------|-------|-------|--------|--------|
| Distance(m) | 5     | 10    | 15     | 20     |
| Diameter(m) | Φ4.11 | Φ8.22 | Φ12.33 | Φ16.44 |

RGBW

Max. Beam angle 38°

|            |     |     |    |    |
|------------|-----|-----|----|----|
| Red leds   | 71  | 18  | 8  | 4  |
| Green leds | 180 | 45  | 20 | 11 |
| Blue leds  | 41  | 10  | 5  | 3  |
| Lemon leds | 220 | 55  | 24 | 14 |
| Full leds  | 445 | 111 | 49 | 28 |



|             |       |       |        |        |
|-------------|-------|-------|--------|--------|
| Distance(m) | 5     | 10    | 15     | 20     |
| Diameter(m) | Φ3.44 | Φ6.88 | Φ10.32 | Φ13.76 |

Errors and omissions are possible. All specifications are subject for change without prior notice.