
S620B BEAM

SMART Series



Product parameters

Optical system

Source: Philips MSD Platinum 19 R LL, 420W

Fixture CT : 7200K

Lamp life expectancy : 5000 hrs

Illuminance: up to 280000 lux @ 20 m

Movement

Pan: 540 ° /630 ° optional(16 bit)

Tilt: 270 ° (16 bit)

Auto pan/ tilt repositioning

Color system



CMY color mixing

1 color wheel : 14 dichroic filters + open , indexable, split color effect, rainbow effect

Gobo system

1 Static gobo wheel:15 gobos + open

Effect

Motorized focus

Beam angle: 1.6 °

2 Rotating prism: 4-facet linear prism + 8-facet circular prism, indexable, rotating in both directions

Frost system

Dimming: 0-100% linear dimming

Strobe: electronic, variable from 1-25Hz or pulse

Protection rating

IP20

Display

Display: optional with rechargeable battery, locked automatically after standby for 15 seconds

Pan/tilt disengage (hold Left and Right arrow buttons), support to complete the reset detection in the flight case

Software

Upgrade with DMX

Remote reset DMX address and fixture by DMX

Run time of fixture and light source

3 Control channel modes: 19/17/27 CH

Control

Input signal isolation

Auto thermal protection



RDM protocol

Electric parameter

AC200-240V, 50/60Hz

Power consumption: 600W

Dimension and weight


Product dimension: 395x270x616.5mm

Packing dimension (carton): 730x475x385mm


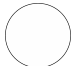
Net weight: 19.6kg

Gross weight (carton): 23.8kg

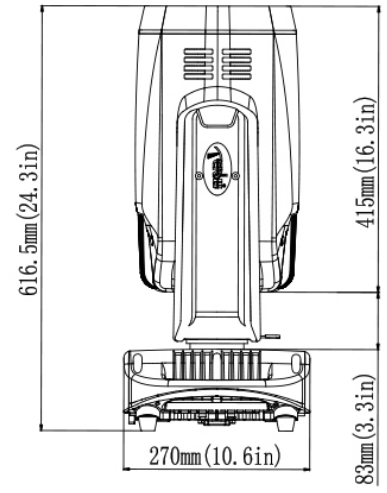
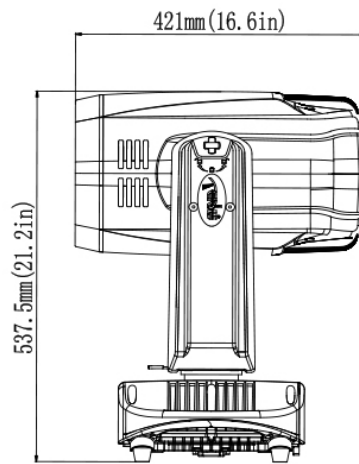
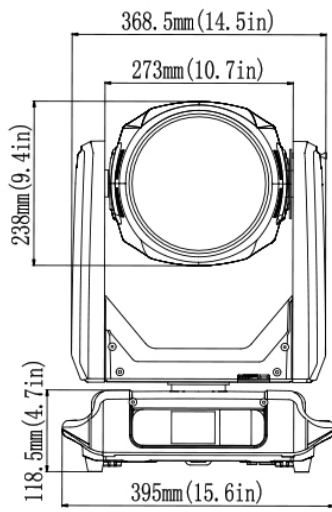
Colours/ Gobos

COLOR WHEEL: 

:

STATIC GOBO WHEEL: 


Dimensions

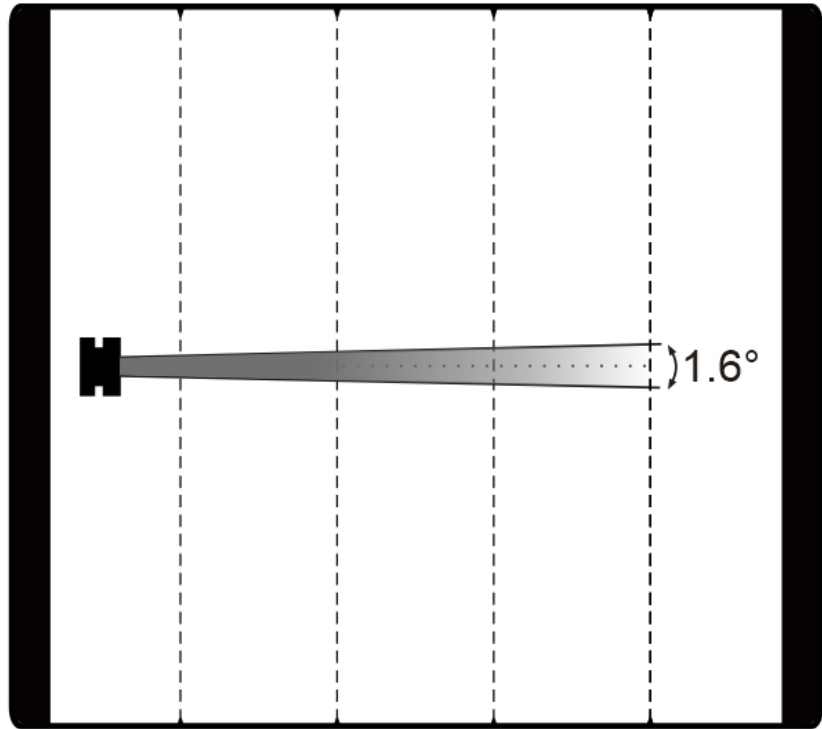


Photometrics



Intensity LUX (1.6°)

4601600 1150400 511288 287600



Distance(m)

5

10

15

20

Diameter(m)

Φ0.14

Φ0.28

Φ0.35

Φ0.56

Errors and omissions are possible. All specifications are subject for change without prior notice.