

T400C LED PROFILE



Product parameters

Optical system

Source: 500W RGBAL LED Engine

Total LED Power: 500W

LED Power Draw: 400W

Fixture CT: 2200K-8000K

Light source life expectancy : 50,000 hours Average Light Source Life*

CRI: up to 95

Fixture Output: 9,000lm

Beam angle: 15 ° -36 ° ; 5 ° ,10 ° optional

Effects

Dimming: 0-100% linear dimming

Strobe: Up to 25Hz

Gamma: 2.0, 2.2, 2.4, 2.6 , 2.8 , to fit different visual linearity requirements

Refresh rate: 1,000Hz,25,000Hz, 32,000Hz

Protection rating

IP20

Software

Upgrade with DMX, super quiet fan control

2 Control channel modes : 11/17CH

Control

RDM Protocol

Electric parameter

AC100-240V, 50/60Hz

Power: 450W

Dimension and weight

Product dimension: 328x439x736mm

Packing dimension (carton): 495x345x315mm

Net weight: 9 kg (just body, not include len)

Gross weight (carton): 11 kg

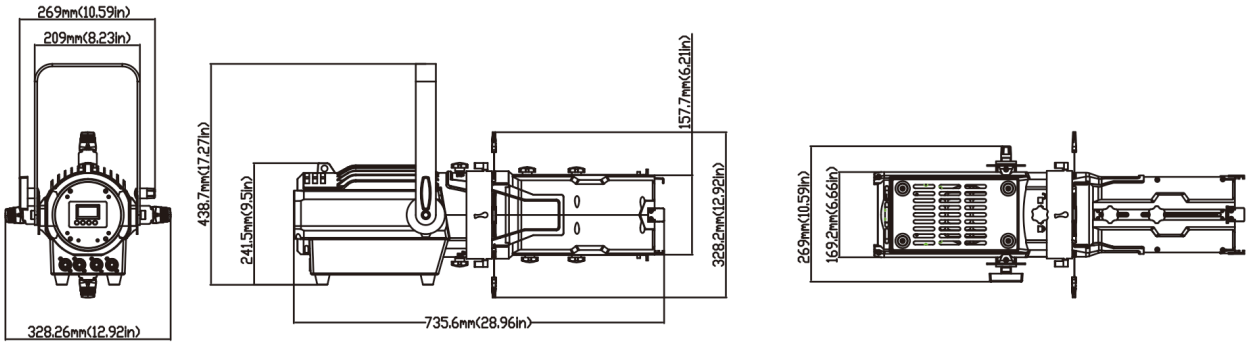
*Testing conditions in the lab may differ based on various factors.

Colours/ Gobos

:

:

Dimensions



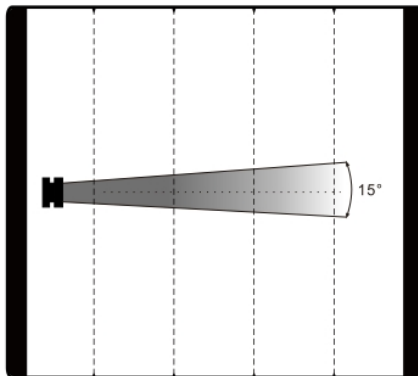
Photometrics

Beam angle (15°)

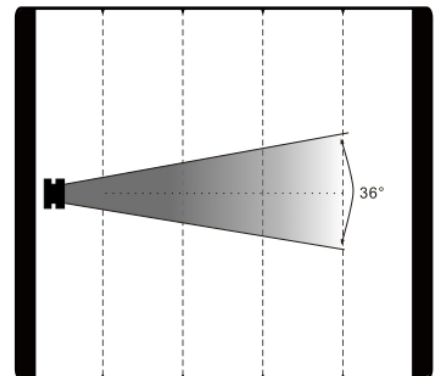
Red leds	7300	1825	811	456
Green leds	41500	10375	4611	2594
Blue leds	8650	2163	961	541
Lemon leds	70500	17625	7833	4406
Amber leds	34000	8500	3778	2125
Full leds	130000	32500	14500	8100

Beam angle (36°)

Red leds	1900	480	210	120
Green leds	10800	2700	1200	675
Blue leds	2250	560	250	140
Lemon leds	18300	4575	2000	1150
Amber leds	8850	2210	980	550
Full leds	33800	8450	3750	2100



Distance(m)	1	2	3	4
Diameter(m)	Φ0.3	Φ0.5	Φ0.8	Φ1.1



Distance(m)	1	2	3	4
Diameter(m)	Φ0.6	Φ1.2	Φ1.8	Φ2.4

Errors and omissions are possible. All specifications are subject for change without prior notice.