



SL5000WP IP LED PROFILE

SMART Series



Product parameters

Optical system

Source: 1400W White LED

Fixture CT: 6500K

Lamp life expectancy : 20,000h

CRI: Ra 70

Fixture output: 45000lm

Movement

Pan: 540 ° /630 ° optional(16 bit)

Tilt: 270 ° (16 bit)

Auto X/Y repositioning



Color system

CMY+CTO color mixing

2 Color wheels: each with 6 dichroic filters + open

Gobo system

1 Rotating gobo wheel: 6 interchangeable gobos + open

Effects

Motorized focus

Zoom range: 4.5 ° -41 ° (beam angle), 6.5 ° -49 ° (field angle)

Auto focus

Frost

4 individually positionable blades with $\pm 90^\circ$ rotation of the complete framing system

Iris

Dimming: 0-100% linear dimming

Strobe: electronic, variable from 1-25Hz or pulse

Protection rating

IP66

Display

Display

Pan/tilt disengage (hold Left arrow and Right arrow buttons)

Software

Upgrade with DMX

Remote reset DMX address and fixture by DMX

Run time of fixture and light source

2 Control channel modes: 36/56CH

Control

Input signal isolation

Auto thermal protection circuit




Optional Art-Net control
RDM protocol

Electric parameter
AC220-240V, 50/60Hz
Power: 1700W

Dimension and weight
Product dimension: 457x332x869mm
Net weight: 47.6 kg

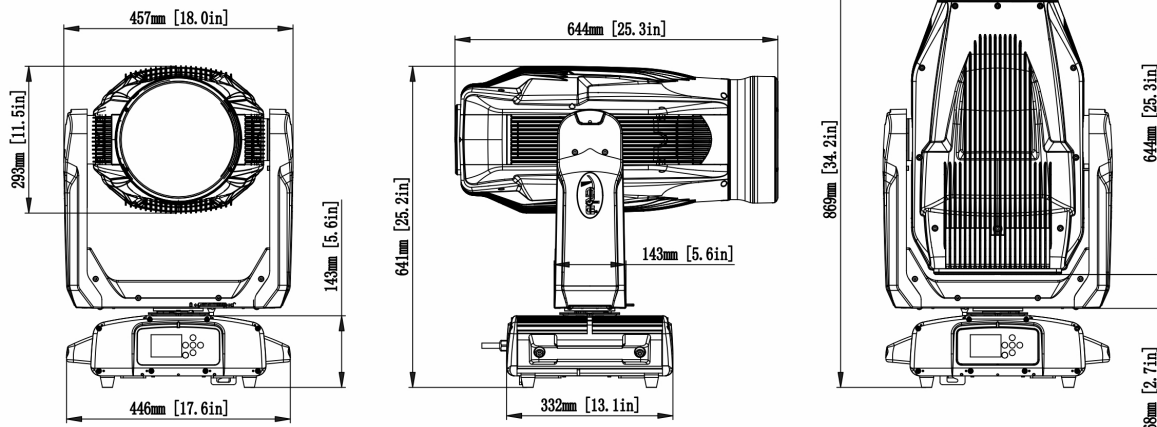
Colours/ Gobos

COLOR WHEEL I: 

COLOR WHEEL II: 

ROTATING GOBO WHEEL: 

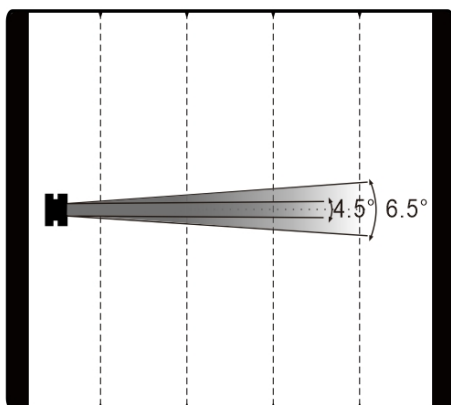
Dimensions



Photometrics

Min. Beam Mode
Intensity LUX (4.5 °)

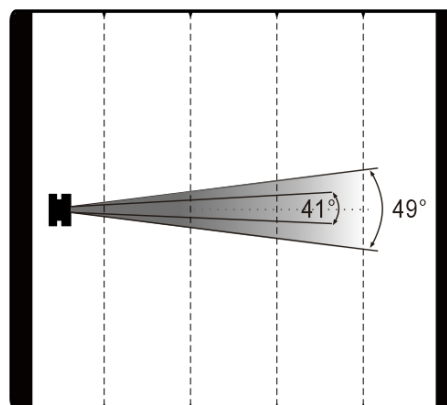
150981 37745 16776 9436



Distance(m) 5 10 15 20
Diametre(m) Φ 0.4 Φ 0.8 Φ 1.2 Φ 1.6

Max. Beam Mode
Intensity LUX (49°)

4804 1201 534 300



Distance(m) 5 10 15 20
Diametre(m) Φ 3.7 Φ 7.4 Φ 11.1 Φ 14.8

Errors and omissions are possible. All specifications are subject for change without prior notice.