

---

## GL12W IP LED WASH (WITH FRAMING)



### Product parameters

#### Optical system

Source: 1200W White LED

Fixture CT: 6500K

Lamp life expectancy : 30,000h

CRI: RA 70

Fixture output: 70,000lm

#### Movement

Pan: 540 ° /630 ° optional(16 bit)

Tilt: 270 ° (16 bit)

Auto X/Y repositioning



---

## Color system

CMY+CTO color mixing

1 Color wheels: 6 dichroic filters + open

## Gobo system

1 Rotating gobo wheel: 6 gobos+open

1 Animation wheels

## Effects

Motorized focus

Zoom range: 4.5 ° -40 ° (beam angle), 6.5 ° -52 ° (field angle)

Auto focus

Frost

4 individually positionable blades with  $\pm 45^\circ$  rotation of the complete framing system

Iris

Dimming: 0-100% linear dimming

Strobe: electronic with various speed

## Protection rating

IP65

## Display

LCD display

## Software

Upgrade with DMX and USB as optional

Remote reset DMX address and fixture by DMX

Run time of fixture and light source

2 Control channel modes: 34/56 or 25/36CH

## Control

Input signal isolation

Auto thermal protection circuit



---

Art-Net control  
RDM protocol

Electric parameter  
AC220-240V, 50/60Hz  
Power: 1650W

Dimension and weight  
Product dimension: 458x344x869mm  
Net weight: 47.6kg

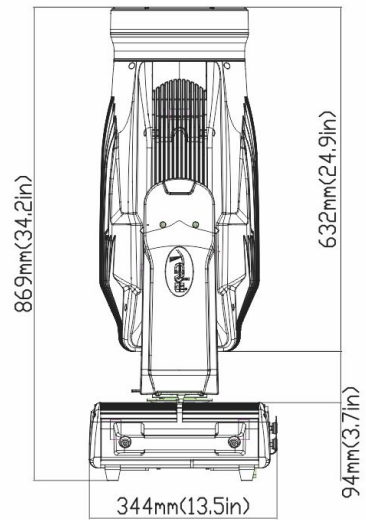
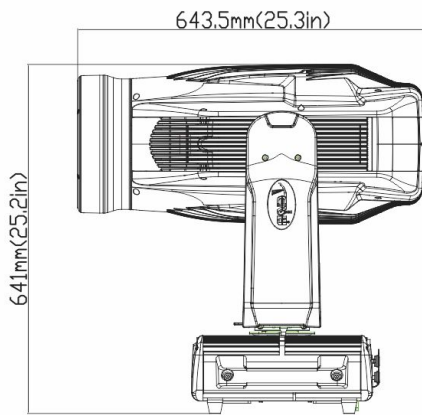
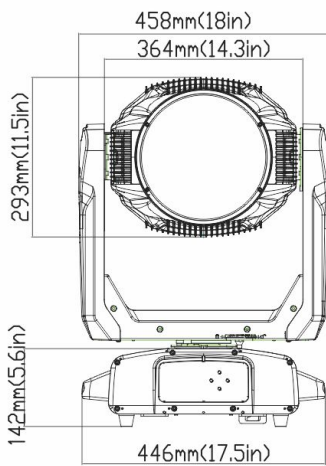
### Colours/ Gobos

COLOR WHEEL: 

ROTATING GOBO WHEEL: 

ANIMATION WHEEL: 

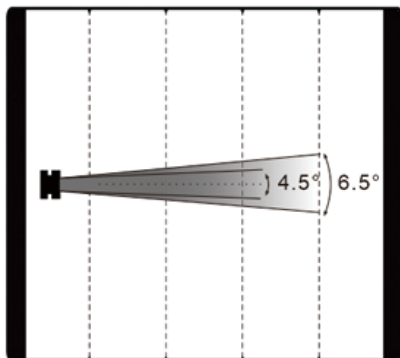
### Dimensions



## Photometrics

Min.Beam angle (4.5°)  
Min.Field angle (6.5°)

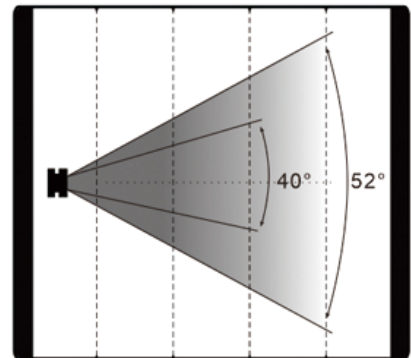
Intensity LUX    215766   53942   23974   13485



Distance(m)	5	10	15	20
Diameter(m)	Φ0.4	Φ0.8	Φ1.2	Φ1.6

Max.Beam angle (40°)  
Max.Field angle (52°)

Intensity LUX    5932   1483   659   371



Distance(m)	5	10	15	20
Diameter(m)	Φ3.5	Φ7	Φ10.5	Φ14

Errors and omissions are possible. All specifications are subject for change without prior notice.