



TP300 LED PANEL



Product parameters

Optical system

Source: RGBW

Fixture CT: 2700K-8000K

Lamp life expectancy : 50,000h

CRI: Ra: up to 98 , R9: up to 98, R15: up to 96

Fixture output: 14000lm

Color system

RGBW color mixing

Effects

Zoom range: 115 ° (beam angle), 160 ° (field angle)



Dimming: 0-100% linear dimming

Strobe: 1-25Hz , optional for synchronous strobe, pulse strobe and asynchronous strobe

GAMMA: 2.0/2.2/2.4/2.6/2.8

Refresh rate: 32KHz

Protection rating

IP20

Display

Display

Software

Built-in macro effects

Upgrade with DMX

Remote reset DMX address and fixture by DMX

Run time of fixture and light source

Operational modes: DMX512/manual

Control

Input signal isolation

Auto thermal protection circuit

RDM protocol

Electric parameter

AC100-240V, 50/60Hz

Power: 300W

Dimension and weight

Product dimension: 680x408x107mm

Packing dimension (carton): 800x500x190mm

Net weight: 11.6 kg

Gross weight (carton): 11.34 kg



Others

Accessory: honeycomb cover,barndoor,lamp hook,mounting seat

Optional version : CW+WW,FW,CW,WW

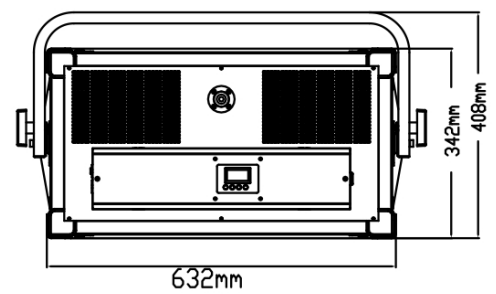
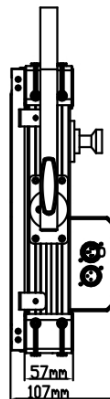
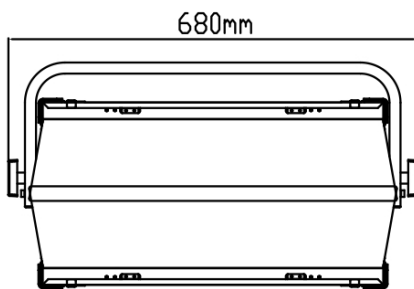
Colours/ Gobos

:

:

:

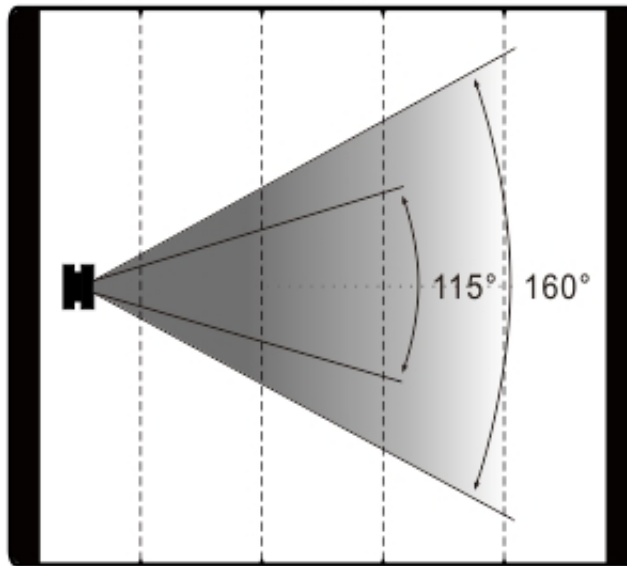
Dimensions



Photometrics

Intensity LUX

4987 1247 554 312



Distance(m)

1

2

3

4

Diametre(m)

Φ2.9

Φ5.8

Φ8.6

Φ11.5

Errors and omissions are possible. All specifications are subject for change without prior notice.