



GLW3720Z LED WASH



Product parameters

Optical system

Source: 37 x 20W RGBW LED

Fixture CT: 6300K

Lamp life expectancy : 50,000h

CRI: 75

Fixture output: 8,100lm

Movement

Pan: 540 ° /630 ° optional(16 bit)

Tilt: 270 ° (16 bit)

Auto X/Y repositioning



Color system

RGBW color mixing

Color temperature presets: 2700K, 3200K, 4300K, 5600K, 6500K, 8000K

Effects

Zoom range: 7 ° -53 °

Dimming: 0-100% linear dimming

Strobe: electronic, variable from 1-25Hz or pulse

GAMMA: 2.0, 2.2, 2.4, 2.6, 2.8, to fit different visual linearity requirements

Refresh rate: 900Hz-25,000Hz

Pixel Control

Protection rating

IP20

Display

Battery operated for fast addressing, 15 seconds standby auto lock

Pan/tilt disengage (hold MENU and ENTER button)

Software

Upgrade with DMX

Remote reset DMX address and fixture by DMX

Run time of fixture and light source

3 Control channel modes: 17/19/165CH

Control

Input signal isolation

Optional installed wireless receiver

Art-Net control

RDM protocol

Electric parameter

AC100-240V, 50/60Hz

Power: 600W



Dimension and weight

Product dimension: 498.5x331x603.4mm

Packing dimension (carton): 625x470x715mm

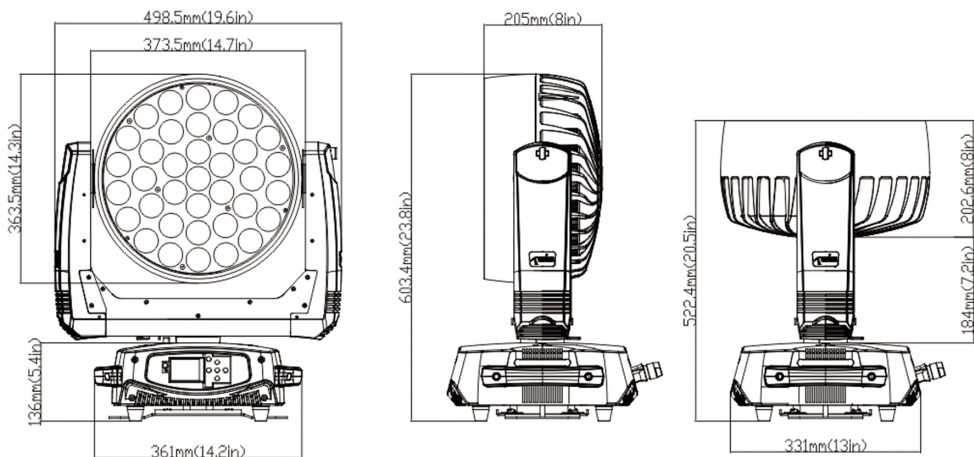
Net weight: 22.5kg

Gross weight (carton): 28.5kg

Colours/ Gobos

:
:
:

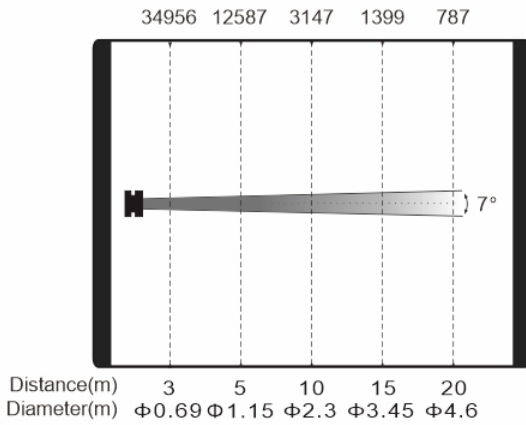
Dimensions



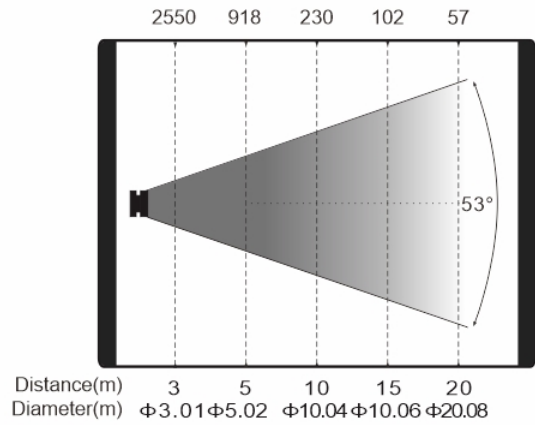


Photometrics

Min. Beam Mode
Intensity LUX(7°)



Max. Beam Mode
Intensity LUX(53°)



Errors and omissions are possible. All specifications are subject for change without prior notice.