

GLW1920Z LED WASH



Product parameters

Optical system

Source: 19 x 20W RGBW LED

Fixture CT: 2700K-10000K

Light source life expectancy : 50,000 hours Average Light Source Life*

CRI: 75

Fixture output: 4,600lm

Movement

Pan: 540 ° /630 ° optional(16 bit)

Tilt: 270 ° (16 bit)

Auto X/Y repositioning

Color system
RGBW color mixing

Color temperature presets: 2700K, 3200K, 4300K, 5600K, 6500K, 8000K

Effects

Zoom range: 8 ° -72 ° (beam angle)

Dimming: 0-100% linear dimming

Strobe: electronic, variable from 1-25Hz or pulse

GAMMA: 2.0, 2.2, 2.4, 2.6, 2.8, to fit different visual linearity requirements

Refresh rate: 900Hz-25,000Hz

Pixel Control

Protection rating

IP20

Display

Battery operated for fast addressing, 15 seconds standby auto lock

Pan/tilt disengage (hold MENU and ENTER button)

Software

Upgrade with DMX

Remote reset DMX address and fixture by DMX

Run time of fixture and light source

3 Control channel modes: 17/35/93CH

Auto thermal protection circuit

Control

Input signal isolation

Optional installed wireless receiver

Optional Art-Net control

RDM protocol

Electric parameter

AC100-240V, 50/60Hz

Power: 400W

Dimension and weight

Product dimension: 370x246x502mm

Packing dimension (carton): 455x365x595mm

Net weight: 13kg

Gross weight (carton): 17kg

*Testing conditions in the lab may differ based on various factors.

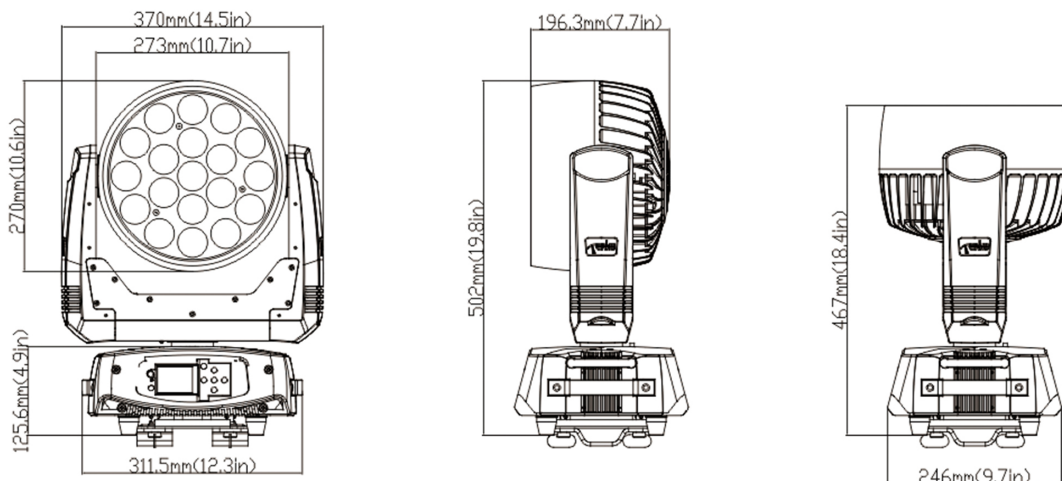
Colours/ Gobos

:

:

:

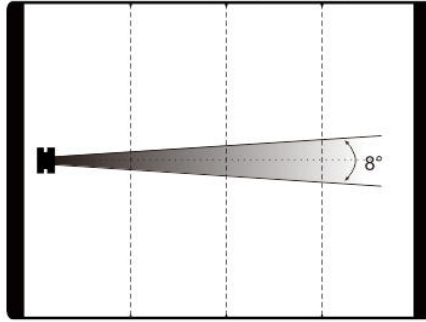
Dimensions



Photometrics

Intensity LUX 8°

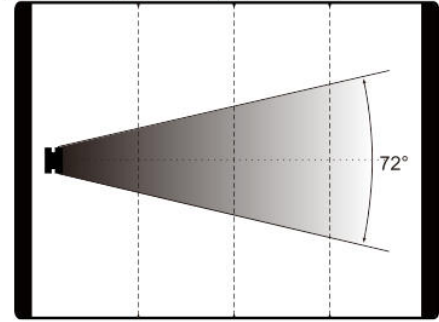
Red leds	4610	1824	825
Green leds	13180	4109	1846
Blue leds	1550	450	205
White leds	16880	4410	2410
Full leds	30650	10300	4630



Distance(m)	2.5	5	7.5
Diameter(m)	Φ0.36	Φ0.72	Φ1.08

Intensity LUX 72°

Red leds	135	41	21
Green leds	348	96	46
Blue leds	40	11	6
White leds	400	121	60
Full leds	811	236	117



Distance(m)	2.5	5	7.5
Diameter(m)	Φ3.65	Φ7.30	Φ10.95

Errors and omissions are possible. All specifications are subject for change without prior notice.