
SL5000PH LED PROFILE

SMART Series



Product parameters

Optical system

Source: 1400W White LED

Fixture CT: 6000K (SL5000P: 6500K)

"Light source life expectancy : 20,000 hours Average Light Source Life*

*Testing conditions in the lab may differ based on various factors."

CRI: Ra: up to 95 , R9: up to 95 (SL5000P: 70)

Fixture output: 39,000lm (SL5000P: 45,000lm)

Movement

Pan: 540 ° /630 ° optional(16 bit)

Tilt: 270 ° (16 bit)

Auto X/Y repositioning



Color system

CMY+CTO color mixing

Color temperature linear: 2700K-6500K

1 Color wheel: 6 dichroic filters + open

Gobo system

1 Rotating gobo wheel: 6 interchangeable gobos + open. Gobo OD: 36mm

1 Static gobo wheel: 7 interchangeable gobos + open

1 Animation wheel

Effects

Motorized focus

Zoom range: 5.5 ° - 50 ° (beam angle)

Auto focus

2 Rotating prisms: 4 linear + 4 facet

Frost: light frost, heavy frost

4 individually positionable blades with $\pm 90^\circ$ rotation of the complete framing system

Iris

Dimming: 0-100% linear dimming

Strobe: electronic, variable from 1-25Hz or pulse

GAMMA: 2.0, 2.2, 2.4, 2.6, 2.8, to fit different camera's linearity

Refresh rate: 1200Hz

Protection rating

IP20

Display

Pan/tilt disengage (hold Left arrow and Right arrow buttons)

Software

Upgrade with DMX

Remote reset DMX address and fixture by DMX



Run time of fixture and light source
2 Control channel modes: 40/62CH
Auto thermal protection circuit

Control
Input signal isolation
Optional installed wireless receiver
RDM protocol

Electric parameter
AC200-240V, 50/60Hz
Power: 1700W

Dimension and weight
Product dimension: 466x321x819mm
Packing dimension (carton): 940x580x505mm
Net weight: 42 kg
Gross weight (carton): 48 kg

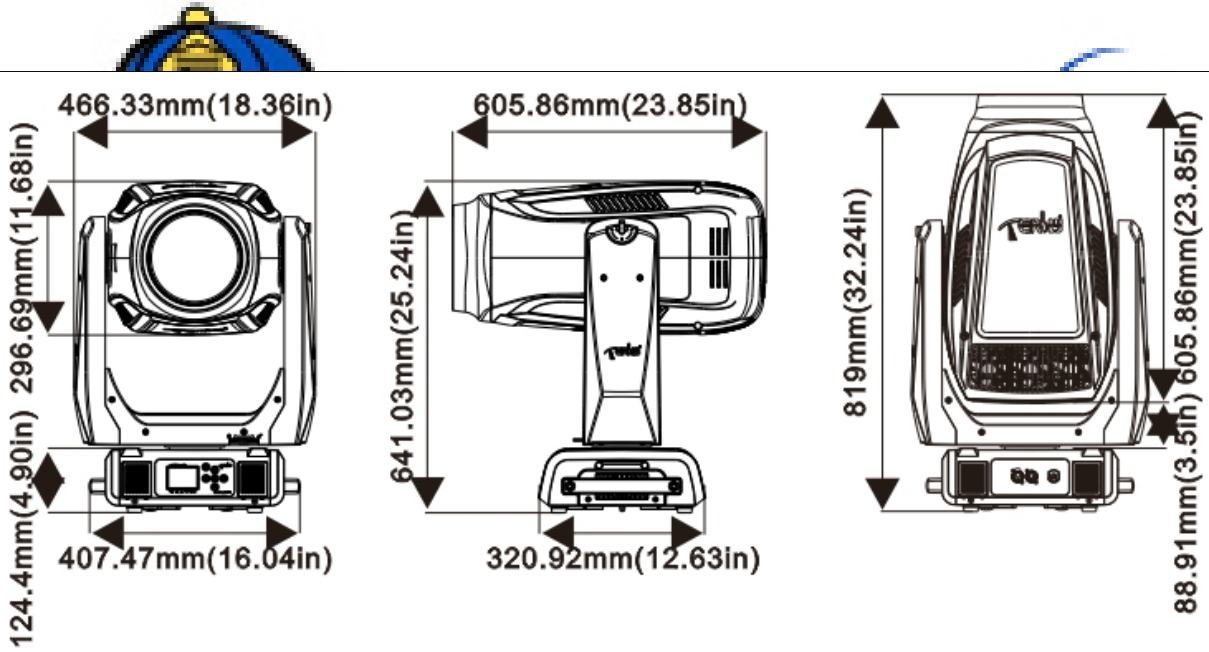
Colours/ Gobos

COLOR WHEEL: 

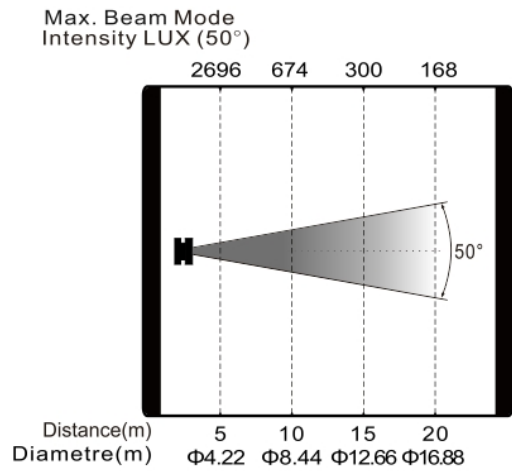
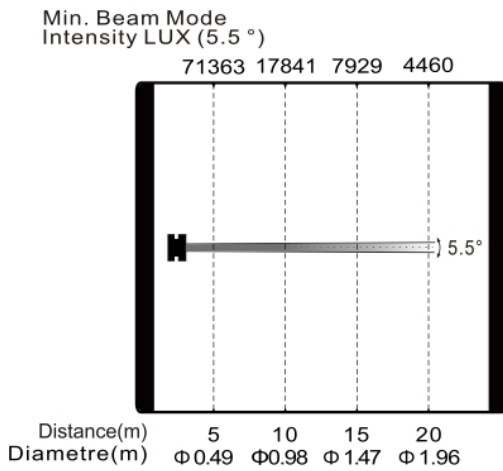
ROTATING GOBO WHEEL: 

STATIC GOBO WHEEL: 

Dimensions



Photometrics



Errors and omissions are possible. All specifications are subject for change without prior notice.