
GLW760 LED WASH



Product parameters

Optical system

Source: 7x 60W RGBW LED

Light source life expectancy : 20,000h

Movement

Pan: 540 ° /630 ° optional(16 bit)

Tilt: 270 ° (16 bit)

Auto X/Y repositioning

Color system

RGBW color mixing,color temperature linear: 2700K to 8000K

Color temperature presets: 2700K, 3200K, 4300K, 5600K, 6500K, 8000K



Effects

Zoom range: 11.2 ° - 75 ° (beam angle)

Dimming: 0-100% linear dimming

Strobe: electronic, variable from 1-25Hz or pulse

Pixel control

GAMMA: 2.0, 2.2, 2.4, 2.6, 2.8, to fit different visual linearity requirements

Refresh rate: 900Hz - 24,000 Hz

Protection rating

IP20

Display

Battery operated for fast addressing, 15 seconds standby auto lock

Pan/tilt disengage (hold Left arrow and Right arrow buttons)

Software

Upgrade with DMX

Remote reset DMX address and fixture by DMX

Run time of fixture and light source

3 Control channel modes: 24/18/46CH

Control

Input signal isolation

Optional installed wireless receiver

Optional Art-Net control

RDM protocol

Electric parameter

AC100-240V, 50/60Hz

Power: 700W

Dimension and weight

Product dimension: 349.5x225.2x448.2mm



Packing dimension (carton): 430x370x605mm
Net weight: 11kg
Gross weight (carton): 19kg

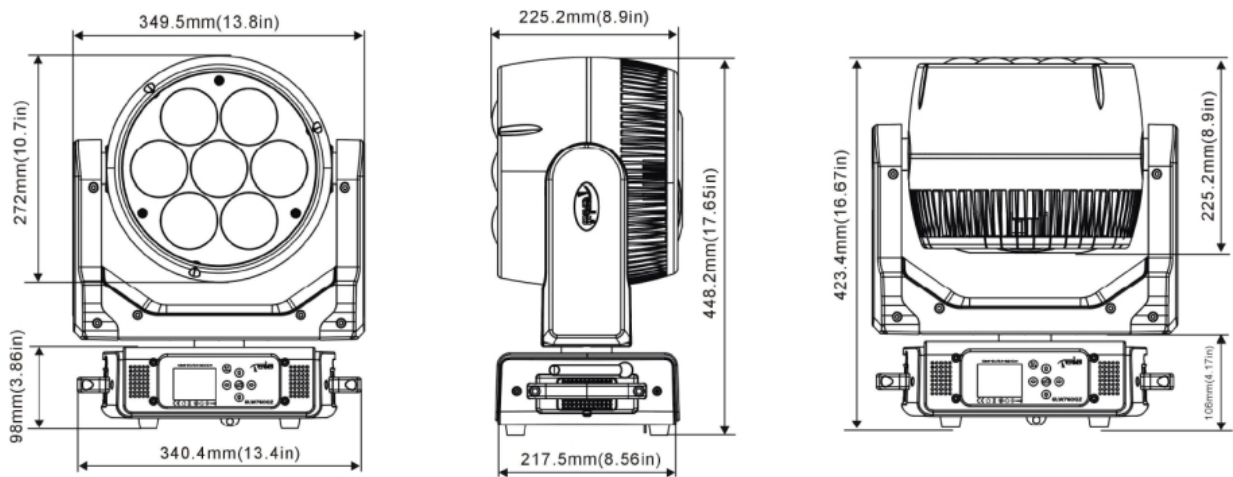
Colours/ Gobos

:

:

:

Dimensions

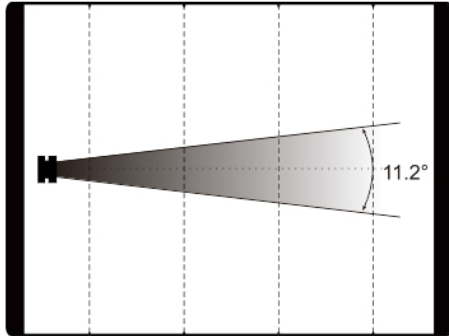


Photometrics

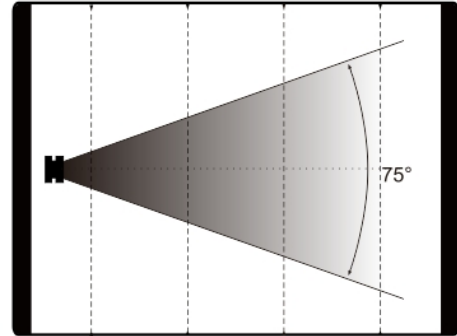


| Min.Beam angle 11.2° | | | | |
|----------------------|-------|--------|--------|-------|
| Red leds | 1625 | 406.3 | 180.6 | 101.6 |
| Green leds | 4690 | 1172.5 | 521.1 | 293.1 |
| Bule leds | 1186 | 296.5 | 131.8 | 74.1 |
| White leds | 7290 | 1822.5 | 810 | 455.6 |
| Full leds | 12660 | 3165 | 1406.7 | 791.3 |

| Max.Beam angle 75° | | | | |
|--------------------|-----|------|------|------|
| Red leds | 63 | 15.8 | 7 | 3.9 |
| Green leds | 161 | 40.3 | 17.9 | 10.1 |
| Bule leds | 37 | 9.3 | 4.1 | 2.3 |
| White leds | 256 | 64 | 28.4 | 16 |
| Full leds | 440 | 110 | 48.9 | 27.5 |



| Distance(m) | 5 | 10 | 15 | 20 |
|-------------|-------|-------|-------|-------|
| Diameter(m) | Φ0.97 | Φ1.95 | Φ2.92 | Φ3.90 |



| Distance(m) | 5 | 10 | 15 | 20 |
|-------------|-------|--------|--------|--------|
| Diameter(m) | Φ7.73 | Φ15.46 | Φ23.19 | Φ30.92 |

Errors and omissions are possible. All specifications are subject for change without prior notice.