
SL1200WP WASH (WITH FRAMING)

SMART Series



Product parameters

Optical system

Source: 1200W White LED

Fixture CT: 7000K

Lamp life expectancy : 20,000h

CRI: RA 70

Fixture output: 52,000lm

Movement

Pan: 540 ° /630 ° optional(16 bit)

Tilt: 270 ° (16 bit)

Auto X/Y repositioning



Color system

CMY+CTO+RGB color mixing

1 Color wheels: 6 dichroic filters + open

Gobo system

2 Animation wheels

Effects

Motorized focus

Zoom range: 6.5 ° -67 °

Auto focus

Frost : light frost, heavy frost

4 individually positionable blades with $\pm 45^\circ$ rotation of the complete framing system

Iris

Dimming: 0-100% linear dimming

Strobe: electronic with various speed

Protection rating

IP20

Display

Battery operated for fast addressing, 15 seconds standby auto lock

Pan/tilt disengage (hold Left arrow and Right arrow buttons)

Software

Upgrade with DMX and USB as optional

Remote reset DMX address and fixture by DMX

Run time of fixture and light source

2 Control channel modes: 39/59CH

Control

Input signal isolation

Auto thermal protection circuit



RDM protocol

Electric parameter

AC100-240V, 50/60Hz

Power: 1800W

Dimension and weight

Product dimension: 481.1x326.1x842mm

Packing dimension (carton): 595x465x965mm

Net weight: 39Kg

Gross weight (carton): 45kg

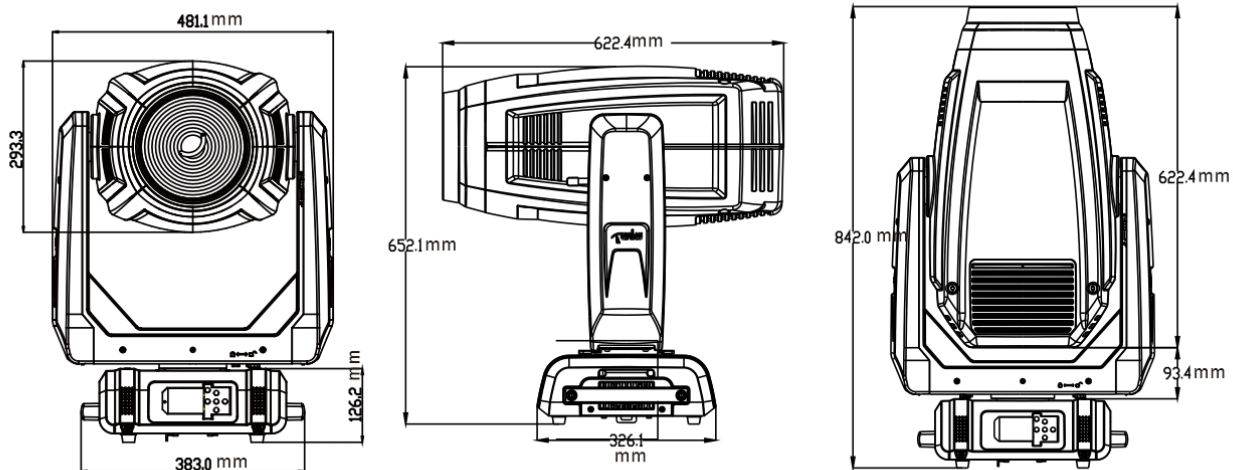
Colours/ Gobos

COLOR WHEEL: 

:

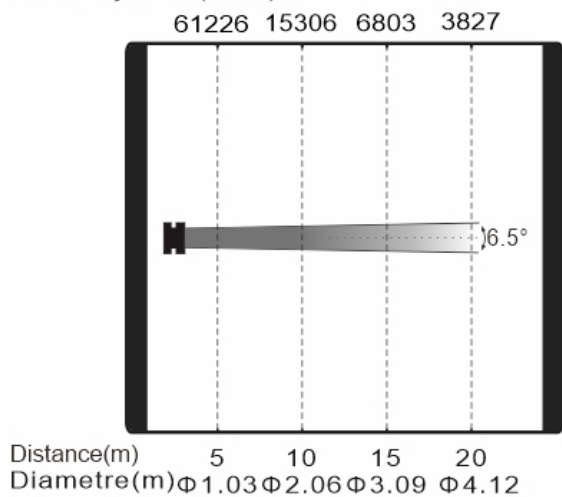
:

Dimensions

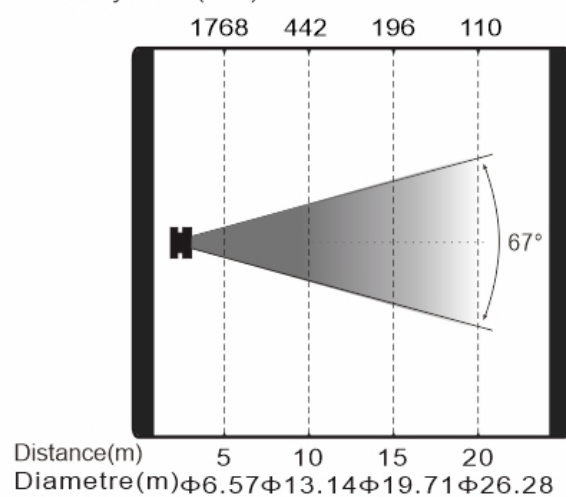


Photometrics

Min. Beam Mode
Intensity LUX (6.5 °)



Max. Beam Mode
Intensity LUX (67°)



Errors and omissions are possible. All specifications are subject for change without prior notice.