
S550H HYBRID

SMART Series



Product parameters

Optical system

Source: Philips Platinum 25R, 550W

Fixture CT: 6200K

Lamp life expectancy : 1,500h

Fixture output: 23,000lm

Movement

Pan: 540 ° /630 ° optional(16 bit)

Tilt: 270 ° (16 bit)

Auto X/Y repositioning

Color system



CMY+CTO color mixing

1 Color wheel: 14 dichroic filters + open

Gobo system

1 Rotating gobo wheel: 8 interchangeable gobos + open. Gobo OD: 16.3mm

1 Static gobo wheel: 14 gobos + open

1 Animation wheel

Effects

Motorized focus

Zoom range: beam mode : 2° - 29° , spot mode : 3° - 38.5° , wash mode : 18.5° - 35.5°

Auto focus

4 Rotating prisms: 4 linear + 6 linear + 8 facet + 16 facet indexable prisms, dynamic prism morph with 16 macros

Frost : light frost, heavy frost

Dimming: 0-100% linear dimming

Shutter: mechanical with various speed

Protection rating

IP20

Display

Battery operated for fast addressing, 15 seconds standby auto lock

Pan/tilt disengage (hold Left arrow and Right arrow buttons)

Software

Upgrade with DMX

Remote reset DMX address and fixture by DMX

Run time of fixture and light source

3 Control channel modes: 29/27/41CH

Control

Input signal isolation



Auto thermal protection circuit
RDM protocol

Electric parameter
AC220-240V, 50/60Hz
Power: 800W

Dimension and weight
Product dimension: 454.7x326.1x692.9mm
Packing dimension (carton): 565x465x850mm
Net weight: 28.5kg
Gross weight (carton): 34.5kg

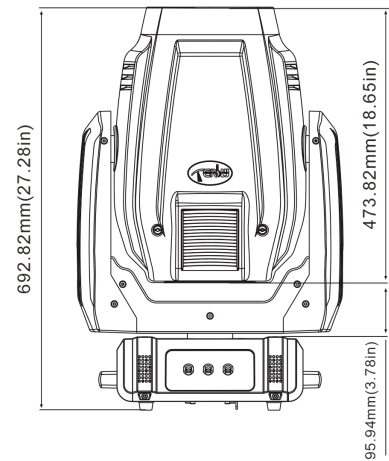
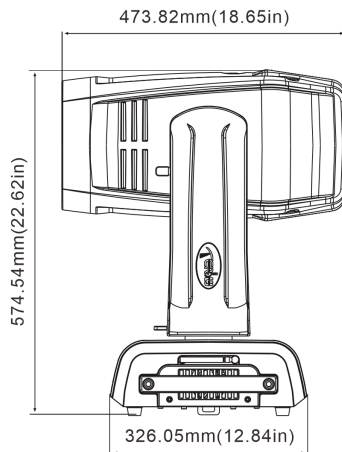
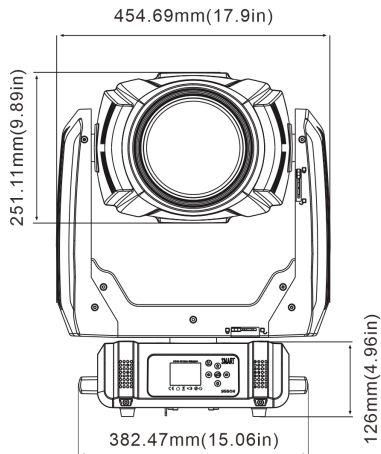
Colours/ Gobos

COLOR WHEEL: 

ROTATING GOBO WHEEL: 

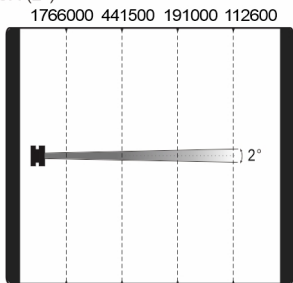
STATIC GOBO WHEEL: 

Dimensions



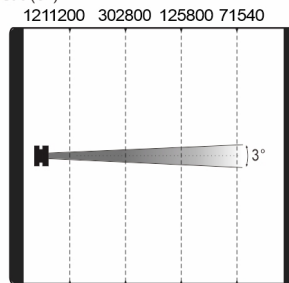
Photometrics

Min. Beam Mode
Intensity LUX (2°)



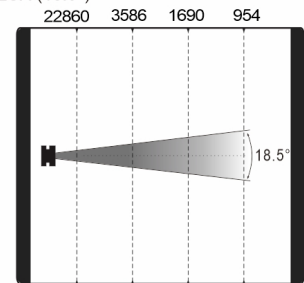
Distance(m) 5 10 15 20
Diameter(m) Φ 0.17 Φ 0.34 Φ 0.51 Φ 0.7

Min. Spot Mode
Intensity LUX (3°)



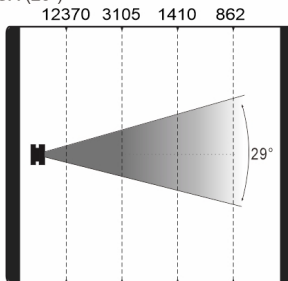
Distance(m) 5 10 15 20
Diameter(m) Φ 0.26 Φ 0.52 Φ 0.78 Φ 1.04

Min. Wash Mode
Intensity LUX (18.5°)



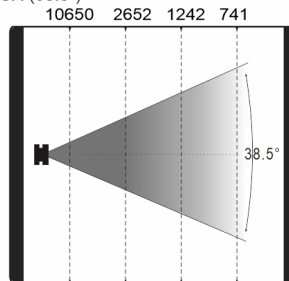
Distance(m) 5 10 15 20
Diameter(m) Φ 1.63 Φ 3.26 Φ 4.89 Φ 6.52

Max. Beam Mode
Intensity LUX (29°)



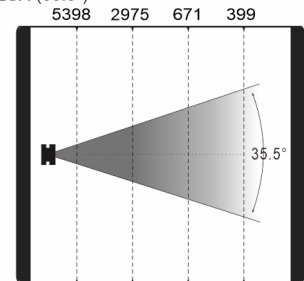
Distance(m) 5 10 15 20
Diameter(m) Φ 2.59 Φ 5.18 Φ 7.77 Φ 10.36

Max. Spot Mode
Intensity LUX (38.5°)



Distance(m) 5 10 15 20
Diameter(m) Φ 3.49 Φ 6.98 Φ 10.47 Φ 13.96

Max. Wash Mode
Intensity LUX (35.5°)



Distance(m) 5 10 15 20
Diameter(m) Φ 3.2 Φ 6.4 Φ 9.6 Φ 12.8



Errors and omissions are possible. All specifications are subject for change without prior notice.