



## S380H IP HYBRID

SMART Series



### Product parameters

#### Optical system

Source: Philips MSD Platinum Flex 300, 380W

Fixture CT: 6200K

Lamp life expectancy : 6,000h

Fixture output: 15,000lm

#### Movement

Pan: 540 ° /630 ° optional(16 bit)

Tilt: 270 ° (16 bit)

Auto X/Y repositioning

#### Color system



---

## CMY color mixing

1 Color wheel: 14 dichroic filters + open

## Gobo system

1 Rotating gobo wheel: 8 interchangeable gobos + open. Gobo OD: 16.3mm

1 Static gobo wheel: 14 gobos + open

## Effects

### Motorized focus

Zoom range: beam mode:  $2.2^{\circ}$  -  $27.5^{\circ}$  , spot mode:  $5.5^{\circ}$  -  $44^{\circ}$  , wash mode:  $5.5^{\circ}$  -  $39.5^{\circ}$

### Auto focus

2 Rotating prisms: 4 linear + 8 facet, dynamic prism morph

### Frost

Dimming: 0-100% linear dimming

Shutter: mechanical with various speed

## Protection rating

IP66

## Display

Battery operated for fast addressing, 15 seconds standby auto lock

Pan/tilt disengage (hold Left arrow and Right arrow buttons)

## Software

Upgrade with DMX

Remote reset DMX address and fixture by DMX

Run time of fixture and light source

3 Control channel modes: 25/23/36CH

## Control

Input signal isolation

Auto thermal protection circuit

RDM protocol



## Electric parameter

AC200-240V, 50/60Hz

Power: 580W

## Dimension and weight

Product dimension: 467.7x370x717.5mm

Packing dimension (carton): 865x570x505mm

Net weight: 41.7kg

Gross weight (carton): 48kg

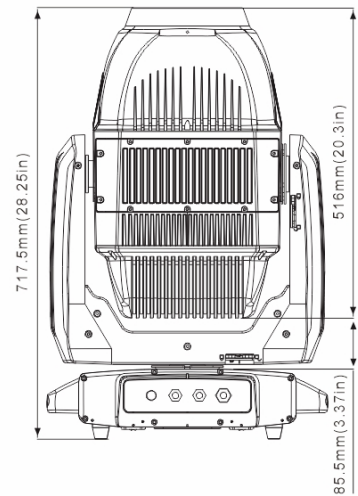
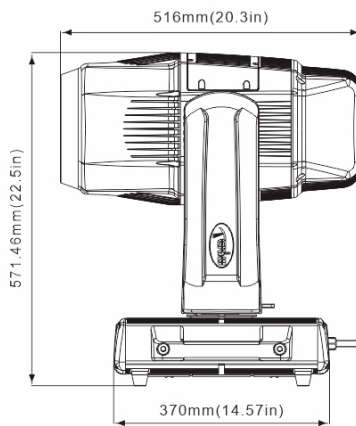
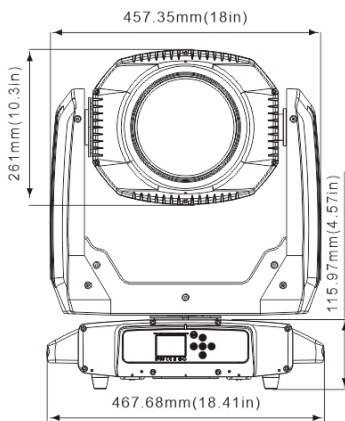
## Colours/ Gobos

COLOR WHEEL:  CTB CTO UV

ROTATING GOBO WHEEL: 

STATIC GOBO WHEEL: 

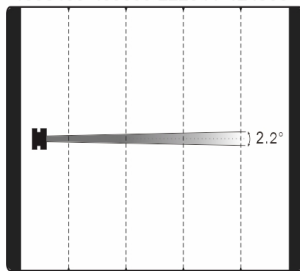
## Dimensions



## Photometrics

Min. Beam Mode  
Intensity LUX (2.2°)

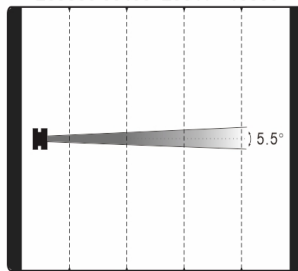
1998400 499600 222044 124900



Distance(m) 5 10 15 20  
Diameter(m)  $\Phi$ 0.19  $\Phi$ 0.38  $\Phi$ 0.57  $\Phi$ 0.76

Min. Spot Mode  
Intensity LUX (5.5°)

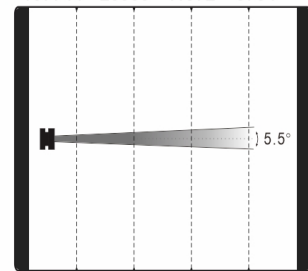
265600 66400 29511 16600



Distance(m) 5 10 15 20  
Diameter(m)  $\Phi$ 0.48  $\Phi$ 0.96  $\Phi$ 1.44  $\Phi$ 1.92

Min. Wash Mode  
Intensity LUX (5.5°)

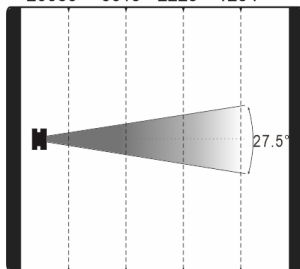
107744 26936 11972 6734



Distance(m) 5 10 15 20  
Diameter(m)  $\Phi$ 0.51  $\Phi$ 1.02  $\Phi$ 1.53  $\Phi$ 2.04

Max. Beam Mode  
Intensity LUX (27.5°)

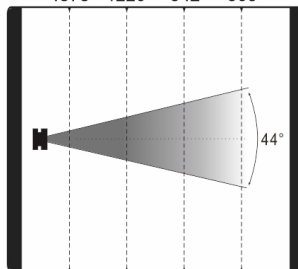
20060 5015 2229 1254



Distance(m) 5 10 15 20  
Diameter(m)  $\Phi$ 2.45  $\Phi$ 4.9  $\Phi$ 7.35  $\Phi$ 9.8

Max. Spot Mode  
Intensity LUX (44°)

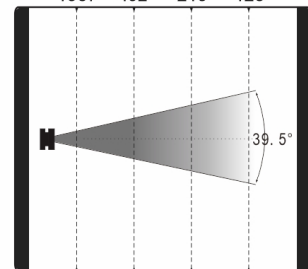
4878 1220 542 305



Distance(m) 5 10 15 20  
Diameter(m)  $\Phi$ 4.04  $\Phi$ 8.08  $\Phi$ 12.12  $\Phi$ 16.16

Max. Wash Mode  
Intensity LUX (39.5°)

1967 492 219 123



Distance(m) 5 10 15 20  
Diameter(m)  $\Phi$ 3.59  $\Phi$ 7.18  $\Phi$ 10.77  $\Phi$ 14.36



---

Errors and omissions are possible. All specifications are subject for change without prior notice.