



## LPAR7 IP LED PAR

**Defender** Series



### Product parameters

#### Optical system

Source: 7x40W RGBW LED

Lamp life expectancy : 50,000

Output: 3500lm

#### Color system

RGBW color mixing

#### Effects

Zoom range: 4 ° -46 °

Dimming: 0-100% linear dimming

Strobe: electronic, variable from 1-25Hz or pulse



---

Refresh rate: 1000Hz-25,000Hz

Protection rating

IP65

Display

Fast addressing , 15 seconds standby auto lock

Software

Upgrade with DMX

Remote reset DMX address and fixture by DMX

3 Control channel modes: 5/9CH

Control

Input signal isolation

Optional Installed wireless receiver

RDM compatible

Electric parameter

AC100-240V, 50/60Hz

Power: 280W

Dimension and weight

Product dimension: 235x379x343mm

Packing dimension (carton): 280x280x440mm

Net weight: 8kg

Gross weight (carton): 8.8kg

Colours/ Gobos

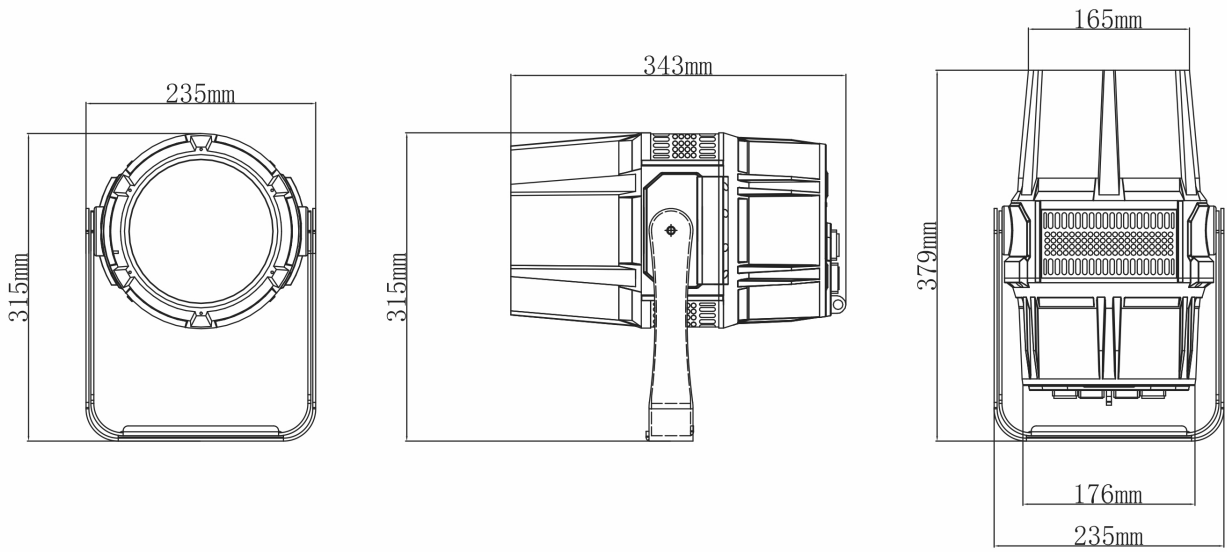
:



:

:

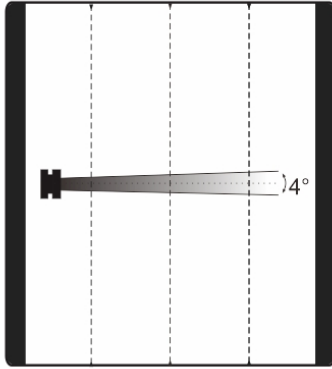
## Dimensions



## Photometrics

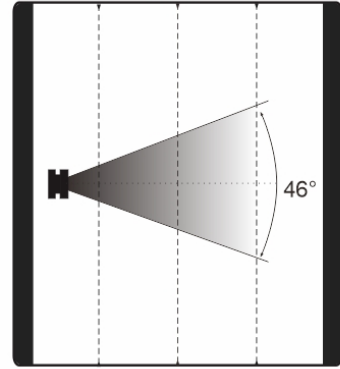


Intensity LUX(4°) 354136 88534 39348



Distance(m) 1 2 3  
4°Diameter(m)  $\Phi$ 0.1  $\Phi$ 0.2  $\Phi$ 0.2

Intensity LUX(46°) 12544 3136 1394



Distance(m) 1 2 3  
46°Diameter(m)  $\Phi$ 0.5  $\Phi$ 1.1  $\Phi$ 1.6

Errors and omissions are possible. All specifications are subject for change without prior notice.