
GLW3740 LED WASH



Product parameters

Optical system

Source: 37x40W RGBW LED

Lamp life expectancy : 50,000h

Fixture output: 23,000lm

Movement

Pan: 540 ° /630 ° optional(16 bit)

Tilt: 270 ° (16 bit)

Auto X/Y repositioning

Color system

RGBW color mixing



Color temperature linear: 2700K to 8000K, Color temperature presets: 2700K, 3200K, 4300K, 5600K, 6500K, 8000K

Effects

Zoom range: 5 ° - 57 °

Dimming: 0-100% linear dimming

Strobe: electronic, variable from 1-25Hz or pulse

Pixel Control

GAMMA: 2.0, 2.2, 2.4, 2.6, 2.8, to fit different visual linearity requirements

Refresh rate: 900Hz-24,000Hz

Protection rating

IP20

Display

Battery operated for fast addressing, 15 seconds standby auto lock

Pan/tilt disengage (hold Left arrow and Right arrow buttons)

Software

Upgrade with DMX

Remote reset DMX address and fixture by DMX

Run time of fixture and light source

3 Control channel modes: 25/19/167CH

Control

Input signal isolation

Art-Net control

RDM protocol

Electric parameter

AC120-240V, 50/60Hz

Power: 1650W

Dimension and weight

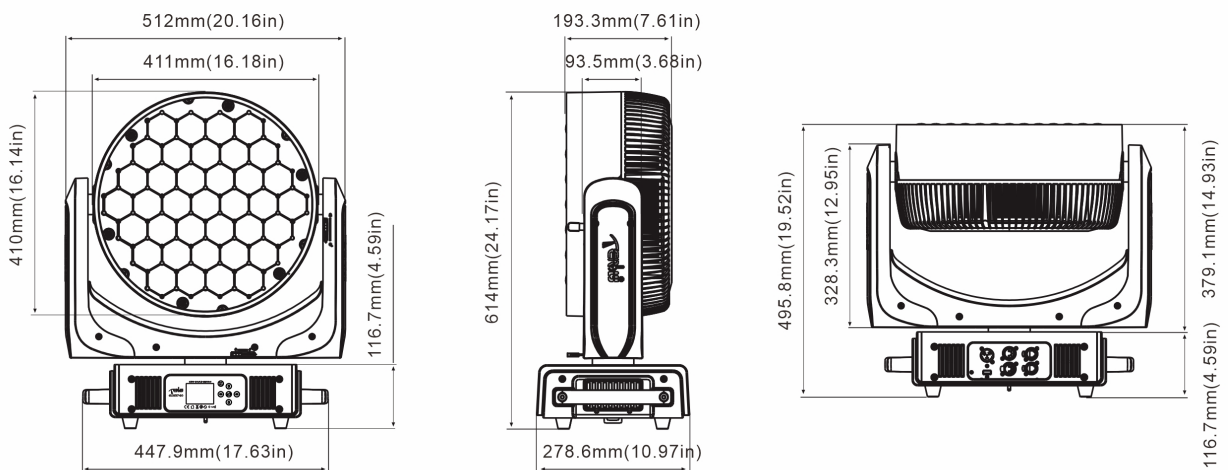


Product dimension: 512x278.6x614mm
Packing dimension (carton): 605x405x730mm
Net weight: 23.8kg
Gross weight (carton): 29kg

Colours/ Gobos

:
:
:

Dimensions



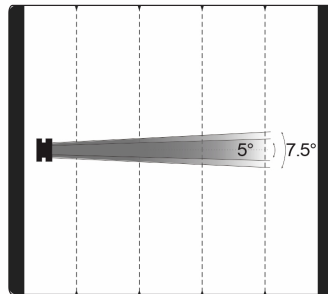


Photometrics

Min. Beam angle(5°)

Min. Field angle(7.5°)

Red leds	11951	2987	1327	746
Green leds	29598	7399	3288	1849
Blue leds	8083	2020	898	505
White leds	43201	10800	4800	2700
Full leds	88255	22064	9806	5516

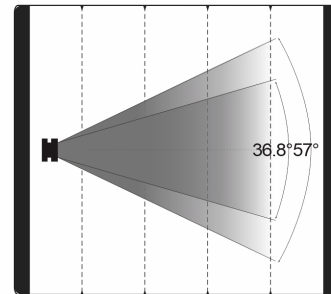


Distance(m)	5	10	15	20
Diametre(m)	Φ0.43	Φ0.86	Φ1.29	Φ1.72
Beam Diametre(m)	Φ0.46	Φ0.92	Φ1.38	Φ1.84
Field Diametre(m)	Φ0.66	Φ1.32	Φ1.98	Φ2.64

Max. Beam angle(36.8°)

Max. Field angle(57°)

Red leds	321	80	35	20
Green leds	837	209	93	52
Blue leds	230	57	25	14
White leds	1138	284	126	71
Full leds	2201	550	244	138



Distance(m)	5	10	15	20
Diametre(m)	Φ4.98	Φ9.96	Φ14.94	Φ19.92
Beam Diametre(m)	Φ3.3	Φ6.6	Φ9.9	Φ13.2
Field Diametre(m)	Φ5.4	Φ10.8	Φ16.2	Φ21.6

Errors and omissions are possible. All specifications are subject for change without prior notice.