



G22H NOVA HYBRID



Product parameters

Optical system

Source: Philips MSD Platinum Flex 400, 480W

Fixture CT: 6900K

Lamp life expectancy : 4000h

Fixture output: 20,300lm

Movement

Pan: 540 ° /630 ° optional(16 bit)

Tilt: 270 ° (16 bit)

Auto X/Y repositioning



Color system

CMY+CTO color mixing

1 Color wheel: 13 dichroic filters +open

Gobo system

1 Rotating gobo wheel: 8 interchangeable + open. Gobo OD: 14mm

1 Static gobo wheel: 14 gobos + 2 open

2 Animation wheels

Effects

Motorized focus

Zoom range: Beam mode: $2.2^\circ - 20^\circ$, Spot mode: $3^\circ - 30^\circ$

Auto focus

4 Rotating prisms: 4 linear + 6 linear + 8 facet + 16 facet prism, any two prisms can be morphed

Frost

Dimming: 0-100% linear dimming

Shutter: mechanical with various speed

Protection rating

IP20

Display

Battery operated for fast addressing, 15 seconds standby auto lock

Pan/ Tilt disengage (hold LEFT and RIGHT button)

Software

Upgrade with DMX and USB as optional

Remote reset DMX address and fixture reset by DMX

Run time of light source and fixture

3 Control channel modes: 30/28/42CH

Control



Input signal isolation
Auto thermal protection circuit
Optional installed wireless receiver
Optional Art-Net control
RDM protocol

Electric parameter
AC220-240V, 50/60Hz
Power: 700W

Dimension and weight
Product dimension: 389x302x635mm
Packing dimension (carton): 505x435x760mm
Net weight: 26.5kg
Gross weight (carton): 31.5kg

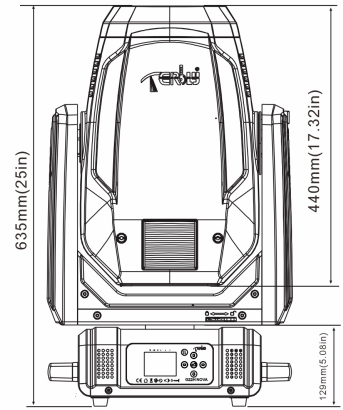
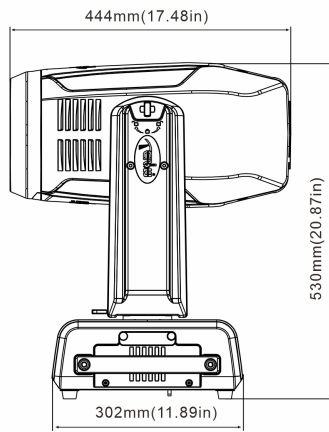
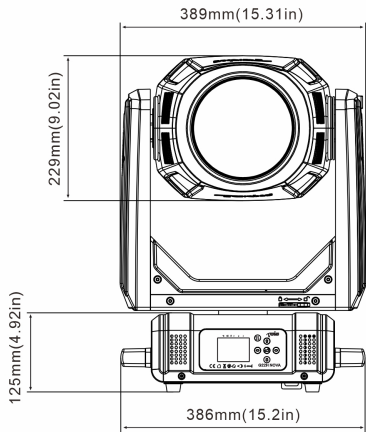
Colours/ Gobos

:

COLOR WHEEL: 

ROTATING GOBO WHEEL: 

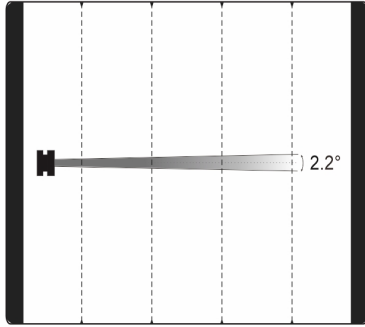
Dimensions



Photometrics

Min Beam Mode
Intensity LUX (2.2°)

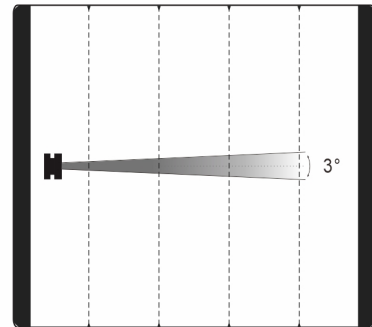
1985196 496299 223020 128774



Distance(m) 5 10 15 20
Diametre(m) Φ 0.19 Φ 0.38 Φ 0.57 Φ 0.76

Min Spot Mode
Intensity LUX (3°)

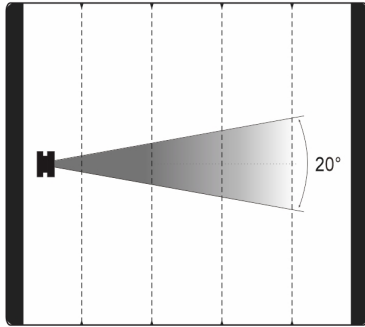
604464 151116 67200 38684



Distance(m) 5 10 15 20
Diametre(m) Φ 0.28 Φ 0.56 Φ 0.84 Φ 1.12

Max Beam Mode
Intensity LUX (20°)

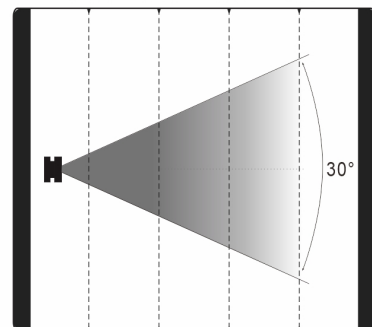
28002 6976 3166 1872



Distance(m) 5 10 15 20
Diametre(m) Φ 1.76 Φ 3.52 Φ 5.28 Φ 7.04

Max Spot Mode
Intensity LUX (30°)

7480 1978 924 556



Distance(m) 5 10 15 20
Diametre(m) Φ 2.68 Φ 5.36 Φ 8.04 Φ 10.72

Errors and omissions are possible. All specifications are subject for change without prior notice.