
G25 HYBRID



Product parameters

Optical system

Source: Philips Platinum 25R, 550W

Fixture CT: 6600K

Lamp life expectancy : 1000h

Fixture output: 22,000lm

Movement

Pan: 540 ° /630 ° optional(16 bit)

Tilt: 270 ° (16 bit)

Auto X/Y repositioning

Color system



CMY+CTO color mixing

1 Color wheel: 13 dichroic filters +open

Gobo system

1 Rotating gobo wheel: 8 interchangeable + open. Gobo OD: 16.6mm

1 Static gobo wheel: 14 gobos +open

2 Animation wheels

Effects

Motorized focus

Zoom range: Beam mode: 2° - 19.5° ; Spot mode: 3° - 30°

Auto focus

4 Rotating prisms: 4 linear + 6 linear + 8 facet + 16 facet prism, dynamic prism morph , indexable with macros.

Frost: light frost, heavy frost

Dimming: 0%-100% linear dimming

Shutter: mechanical with various speed

Protection rating

IP20

Display

Battery operated for fast addressing, 15 second standby auto lock

Pan/ Tilt disengage (hold Left and Right button)

Software

Upgrade with DMX

Remote reset DMX address, lamp control, fixture reset by DMX

Run time of light source and fixture

3 Control channel modes: 30/28/42CH

Control

Input signal isolation

Auto thermal protection circuit



Optional installed wireless receiver

Art-Net control

RDM protocol

Electric parameter

AC200-240V, 50/60Hz

Power: 750W

Dimension and weight

Product dimension: 389x302x635mm

Packing dimension (carton): 505x435x760mm

Net weight: 26.5kg

Gross weight (carton): 31.5kg

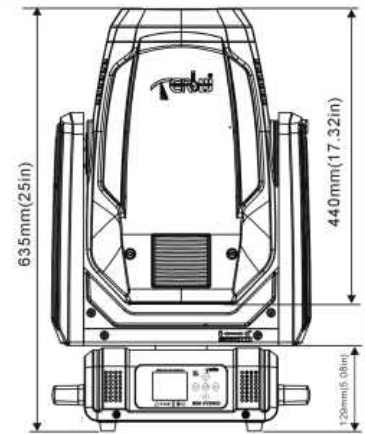
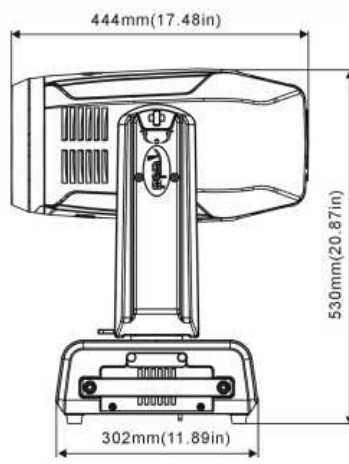
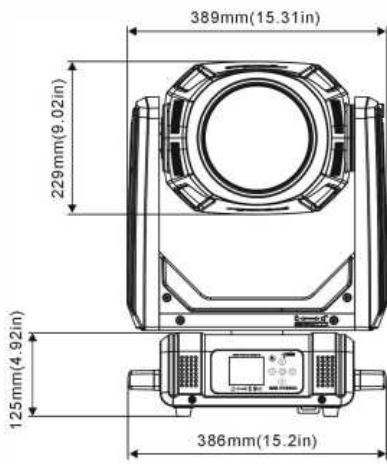
Colours/ Gobos

COLOR WHEEL: 

ROTATING GOBO WHEEL: 

STATIC GOBO WHEEL: 

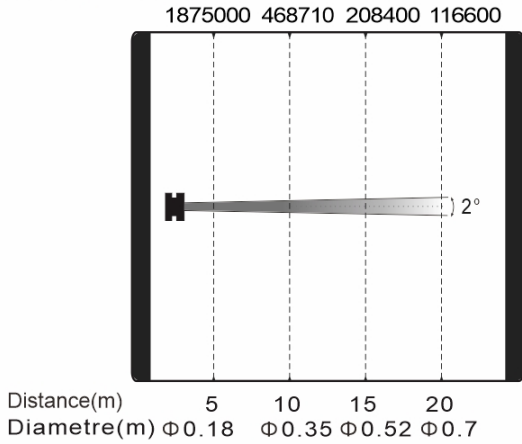
Dimensions



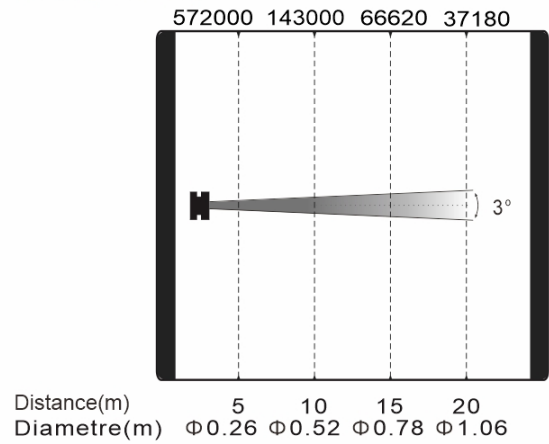
Photometrics



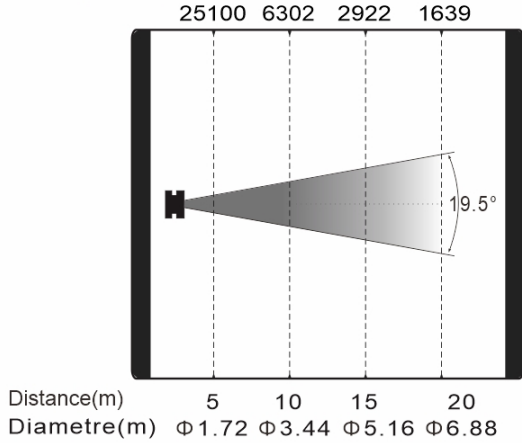
Min. Beam angle
Intensity LUX (2°)



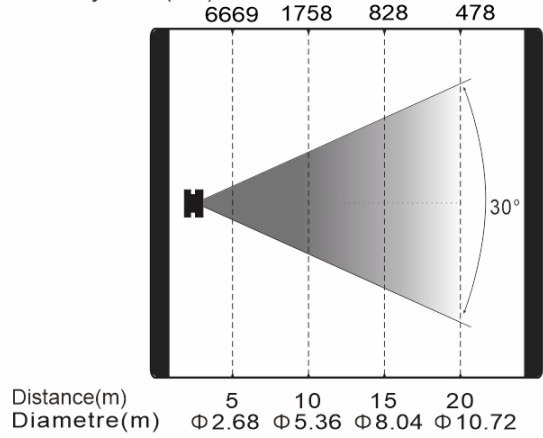
Min. Spot angle
Intensity LUX (3°)



Max. Beam angle
Intensity LUX (19.5°)



Max. Spot angle
Intensity LUX (30°)



Errors and omissions are possible. All specifications are subject for change without prior notice.