



F90H(CW/WW) LED SPOTLIGHT



Product parameters

Optical system

Source: 160W LED

Fixture CT: 5807K(CW),5700K(WW)

CRI: up to 88.9 (CW),97(WW)

Fixture Output: 14921lm(CW),15000lm(WW)

Effects

Zoom range: 12.7 ° - 59 ° (beam angle), 21 ° - 70 ° (field angle)

Dimming: 0-100% linear dimming

Strobe: electronic, variable from 1-25Hz

GAMMA: 2.0,2.2,2.4,2.6,2.8,to fit different camera's linearity

Refresh rate: 900Hz-25,000Hz



Protection rating

IP20

Software

Upgrade with DMX

3 Control channel modes: 2/3/6CH

Control

Control: DMX512/manual mode

RDM protocol

Electric parameter

AC100-240V, 50/60Hz

Power: 200W

Dimension and weight

Product dimension: 344x518.7x614.2mm

Packing dimension (carton): 695x425x430mm

Net weight: 13kg

Gross weight (carton): 17kg

Others

Cooling: fanless, aluminium die casting

Optional hanging type: manual yoke, pole-control yoke, motorized yoke

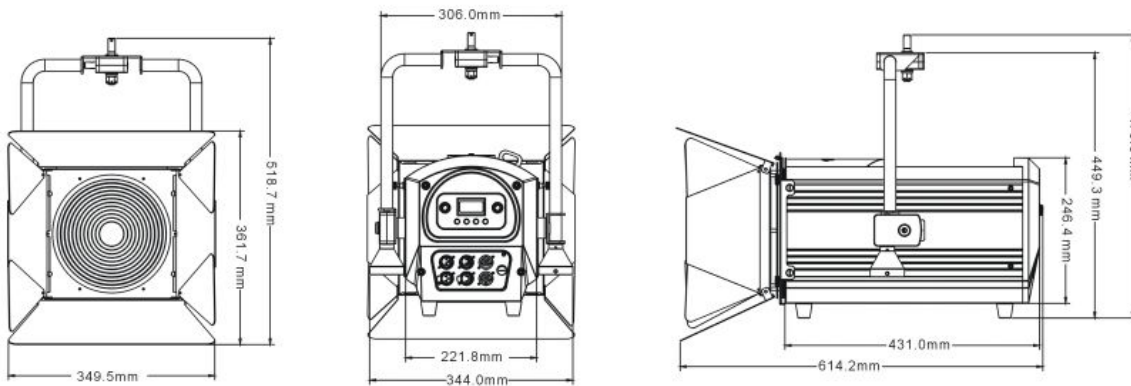
Optional accessory : barn doors

Colours/ Gobos

:

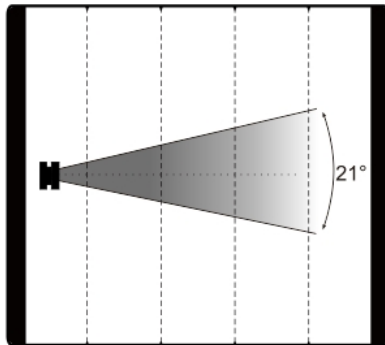
:

Dimensions



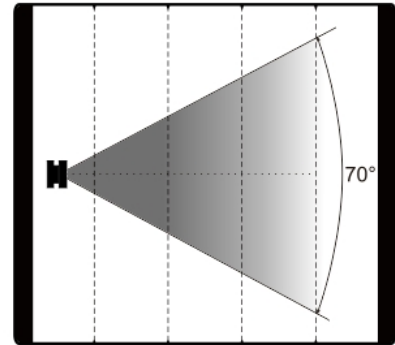
Photometrics

F90H(CW)
Min. Beam angle 21°
Intensity(LUX) 7499 1875 833 469



Distance(m) 5 10 15 20
Diameter(m) Φ 1.85 Φ 3.7 Φ 5.55 Φ 7.4

F90H(CW)
Max. Beam angle 70°
Intensity(LUX) 629 157 70 39



Distance(m) 5 10 15 20
Diameter(m) Φ 7 Φ 14 Φ 21 Φ 28



Errors and omissions are possible. All specifications are subject for change without prior notice.