

---

## GL10WP (GL10WPH) LED WASH PROFILE



### Product parameters

#### Optical system

Source: 1000W White LED

Fixture CT: 5700K

Lamp life expectancy : 20,000h

CRI: GL10WP 74 (High CRI Version GL10WPH : up to 90 )

Fixture output: 41,300lm (High CRI Version GL10WPH : 31,300lm )

#### Movement

Pan: 540 ° /630 ° optional(16 bit)

Tilt: 270 ° (16 bit)

Auto X/Y repositioning



---

## Color system

CMY+RGB+CTO color mixing

2 Color wheels: each with 6 interchangeable dichroic filters + open

## Gobo system

1 Rotating gobo wheel: 7 interchangeable gobos + open. Gobo OD: 30mm

## Effects

Motorized focus

Zoom range: beam mode: 5 ° - 47.5 ° (GL10WP/GL10WPH), wash mode:  
11 ° -52 ° (GL10WP), 11 ° -55 ° (GL10WPH)

Auto focus

Frost: light frost, mid frost, heavy frost

4 individually positionable blades with  $\pm 45^\circ$  rotation of the complete framing system

Iris

Dimming: 0-100% linear dimming

Strobe: electronic, variable from 1-25Hz or pulse

## Protection rating

IP20

## Display

Battery operated for fast addressing, 15 seconds standby auto lock

Pan/tilt disengage (hold Left arrow and Right arrow buttons)

## Software

Upgrade with DMX and USB as optional

Remote reset DMX address and fixture by DMX

Run time of fixture and light source

3 Control channel modes: 39/37/62CH

## Control

Input signal isolation




---

Optional installed wireless receiver  
Art-Net control  
RDM protocol

Electric parameter  
AC100-240V, 50/60Hz  
Power: 1350W

Dimension and weight  
Product dimension: 46.6x36.8x85.0cm  
Packing dimension (carton): 97.5x57.5x50.5cm  
Net weight: 49.5kgs  
Gross weight (carton): 56.0kgs

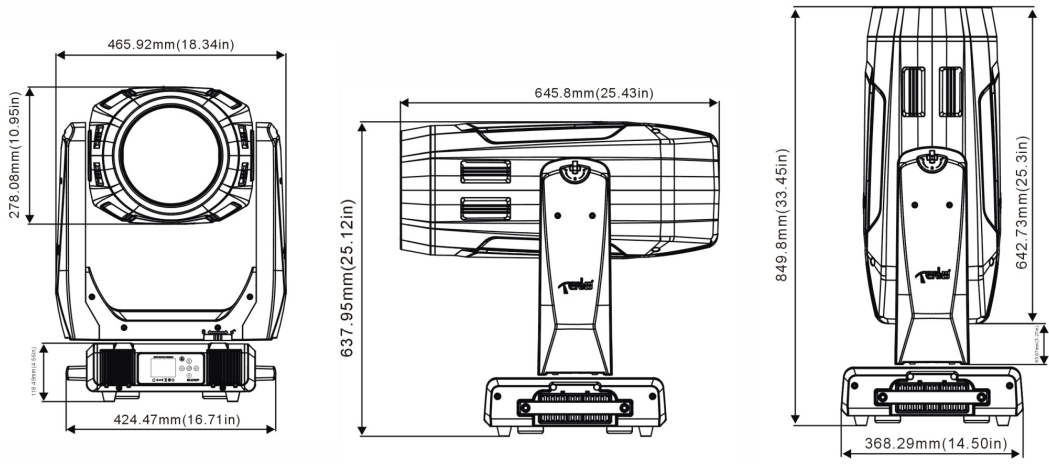
### Colours/ Gobos

COLOR 1: 

COLOR 2: 

ROTATING GOBOS: 

### Dimensions



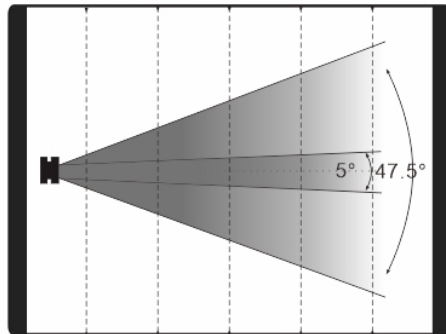
## Photometrics



### GL10WP

Beam angle

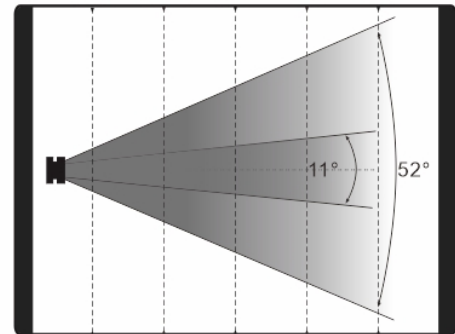
Intensity LUX (5°)	260612	92380	23390	10430	5867
Intensity LUX (47.5°)	11677	4204	1234	613	345



Distance(m)	3	5	10	15	20
5° Diameter(m)	Φ0.3	Φ0.44	Φ0.88	Φ1.32	Φ1.7
47.5° Diameter(m)	Φ2.6	Φ4.4	Φ8.8	Φ13.2	Φ17.6

Wash angle

Intensity LUX (11°)	76188	29650	8064	3623	2038
Intensity LUX (52°)	8727	2764	807	399	224

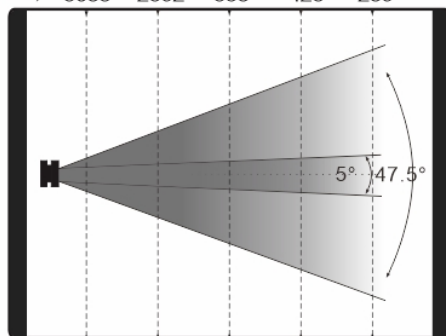


Distance(m)	3	5	10	15	20
11° Diameter(m)	Φ0.6	Φ1.0	Φ2.0	Φ3.0	Φ4.0
52° Diameter(m)	Φ2.9	Φ4.88	Φ9.76	Φ14.64	Φ19.5

### GL10WPH

Beam angle

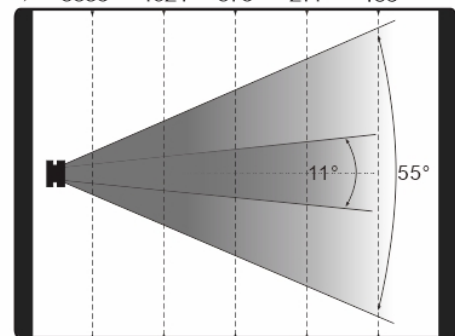
Intensity LUX (5°)	195944	70540	18180	8148	4583
Intensity LUX (47.5°)	8033	2892	863	425	239



Distance(m)	3	5	10	15	20
5° Diameter(m)	Φ0.3	Φ0.44	Φ0.88	Φ1.32	Φ1.7
47.5° Diameter(m)	Φ2.6	Φ4.4	Φ8.8	Φ13.2	Φ17.6

Wash angle

Intensity LUX (11°)	69222	24920	6366	2824	1589
Intensity LUX (55°)	5336	1921	576	277	156



Distance(m)	3	5	10	15	20
11° Diameter(m)	Φ0.6	Φ0.96	Φ1.92	Φ2.88	Φ4.0
55° Diameter(m)	Φ3.1	Φ5.2	Φ10.4	Φ15.6	Φ20.8

Errors and omissions are possible. All specifications are subject for change without prior notice.