



PT189B BEAM



Product parameters

Optical system

Source: Philips Platinum 5R , 189W

Fixture CT: 8000K

Life span : >2,000h

Fixture output: 7,300lm

Movement

Pan: 540 ° /630 ° optional(16 bit)

Tilt: 270 ° (16 bit)

Auto X/Y repositioning

Color system



1 Color wheel: 11 dichroic filters + open

Gobo system

1 Rotating gobo wheel: 8 interchangeable gobos + open. Gobo OD: 14mm

Effects

Motorized focus

Beam angle: 3 °

1 Rotating prism : 8 facet

Frost

Dimming: 0-100% linear dimming

Shutter: mechanical with various speed

Protection rating

IP20

Display

Battery operated for fast addressing, 15 seconds standby auto lock

Pan/tilt disengage (hold MENU and ENTER button)

Software

Upgrade with DMX

Remote reset DMX address and fixture by DMX

Run time of fixture and light source

3 Control channel modes: 14/12/18CH

Control

Input signal isolation

Auto thermal protection circuit

Optional installed wireless receiver

RDM compatible

Electric parameter

AC100-240V, 50/60Hz



Power: 300W

Dimension and weight

Product dimension: 36.2x33.1x52.6cm

Packing dimension (carton): 62.5x45.5x42.5cm

Net weight: 19.0kgs

Gross weight (carton): 23.5kgs

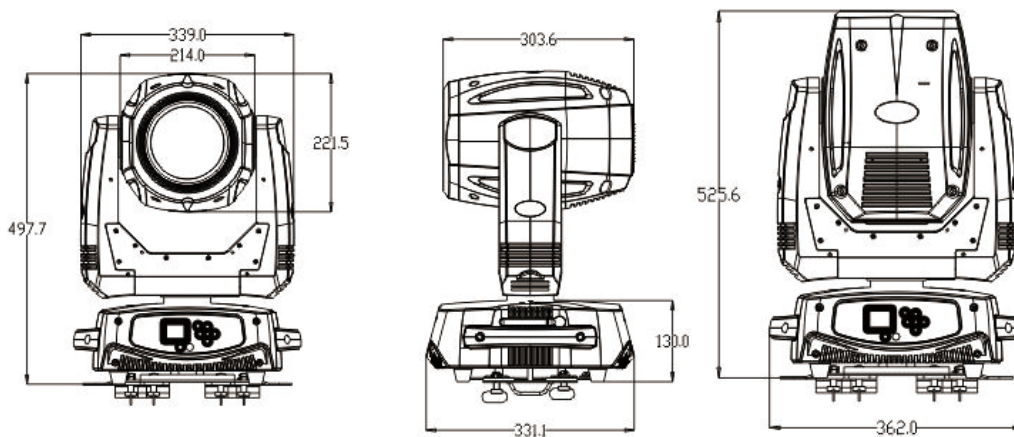
Colours/ Gobos

COLOR WHEEL: 

ROTATING GOBO WHEEL: 

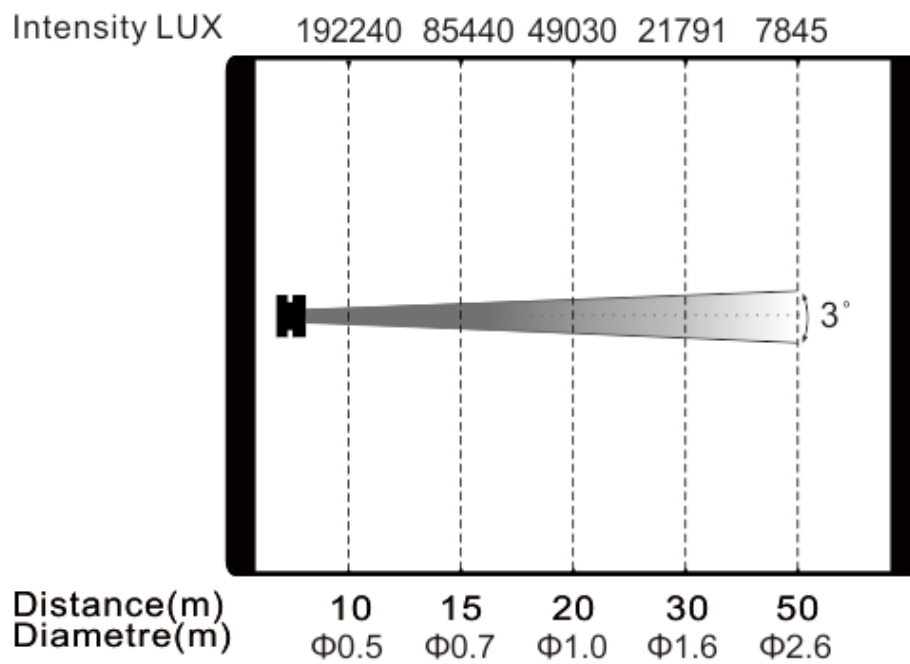
:

Dimensions





Photometrics



Errors and omissions are possible. All specifications are subject for change without prior notice.